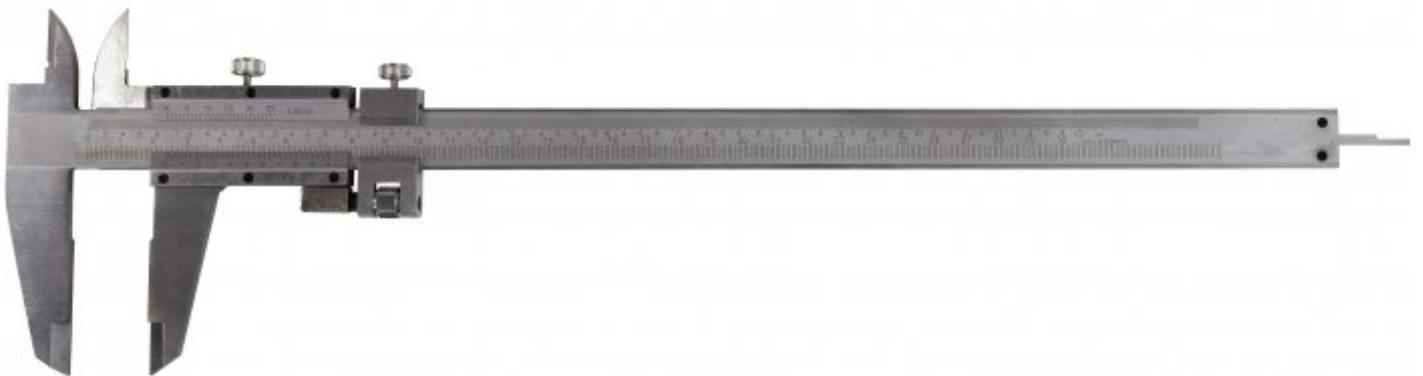


HAFCO

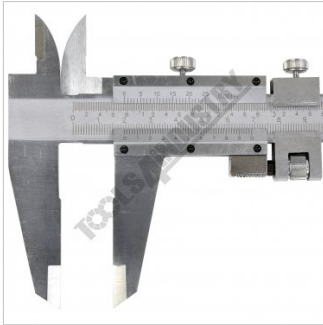


Vernier Caliper

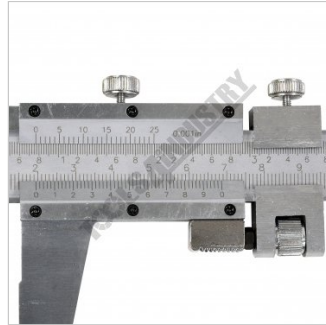
300mm / 12"



HAFCO Vernier Caliper



Internal-External Measuring Jaws



Vernier Head Lock Screw-Fine Adjustment



Height Measuring Slide



Depth Measuring Blade



Metric-Imperial Scale

Features

- Manufactured from stainless steel
- Measuring faces are ground and lapped
- Graduations are clear and easy to read
- Both metric and imperial graduations
- Fine Adjustment
- All models have a position lock

Specifications

ORDER CODE	M726
Range	300mm / 12"
Graduations	0.02mm / 0.001"
Accuracy (mm)	±0.04
A (mm)	60
B (mm)	29
C (mm)	22
D (mm)	19
L (mm)	416
4 Way (Yes / No)	Yes