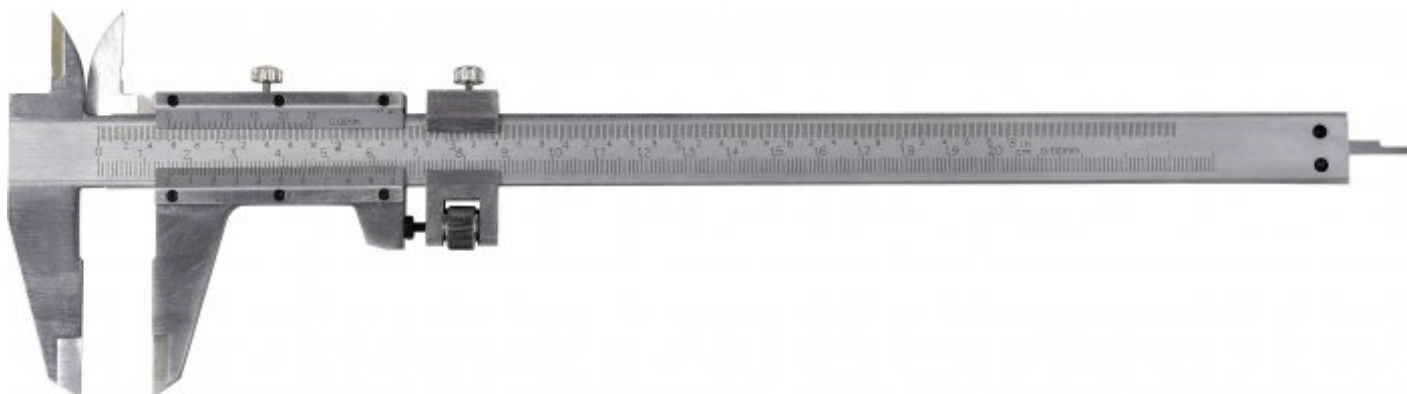


HAFCO



Vernier Caliper

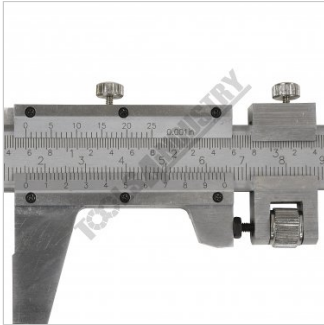
200mm / 8"



HAFCO Vernier Caliper



Internal-External Measuring Jaws



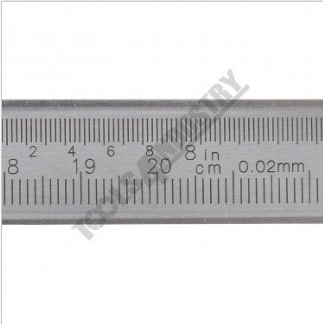
Vernier Head Lock Screw & Fine Adjustments



Height Measuring Slide



Depth Measuring Blade



Metric-Imperial Scale

Features

- Manufactured from stainless steel
- Measuring faces are ground and lapped
- Graduations are clear and easy to read
- Both metric and imperial graduations
- 4-way measuring
- Fine Adjustment
- All models have a position lock

Specifications

ORDER CODE	M725
Range	200mm / 8"
Graduations	0.02mm / 0.001"
Accuracy (mm)	±0.03
A (mm)	50
B (mm)	24
C (mm)	18
D (mm)	16
L (mm)	305
4 Way (Yes / No)	Yes