

HAFCO

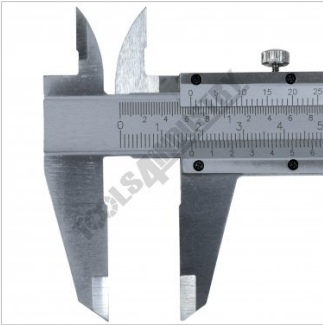


Vernier Caliper

0-150mm / 0-6"



HAFCO Vernier Caliper



Internal & External Measuring Jaws



Vernier Head Lock Screw



Height Measuring Slide



Depth Measuring Blade



Metric & Imperial Scale

Features

- Manufactured from stainless steel
- Measuring faces are ground and lapped
- Graduations are clear and easy to read
- Both metric and imperial graduations
- 4-way measuring
- Slide position lock
- Accuracy $\pm 0.03\text{mm}$

Specifications

ORDER CODE	M720
MODEL	~
Measuring Unit	Metric / Imperial
Range (mm / Inch)	0-150mm / 0-6"
Graduations (mm / Inch)	0.02mm / 0.001"
Repeatability (mm)	~
Accuracy (mm)	± 0.03
A (mm)	16
B (mm)	40
C (mm)	16
Measurement	4 Way