

SUTTON TOOLS

suttontools

16mm HSS End Mill - 8% Cobalt



SUTTON TOOLS 16mm HSS End Mill - 8% Cobalt



4 Flute

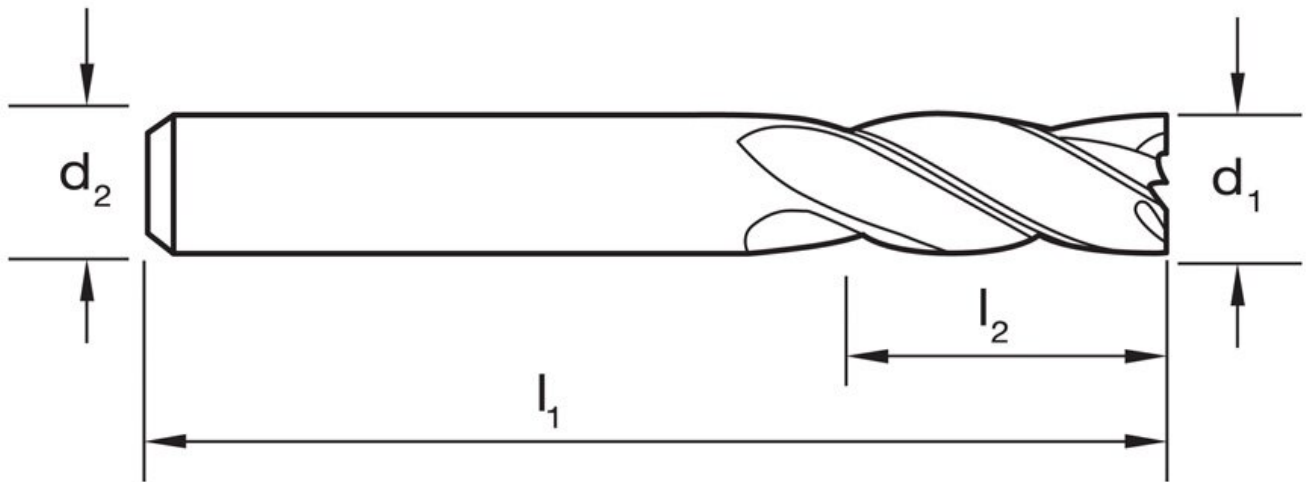
Description

For precision finish milling applications

Features

- 4 Flute Endmill R30 N
- Suitable for materials up to 1000 N/mm²
- TiCN for longer tool life

Specifications



ORDER CODE	M3175
Effective Cutting Diameter (d1)	16mm
Flute	4
Series	~
Type	End Mill

SUTTON TOOLS 16mm HSS End Mill - 8% Cobalt

Shank Size (d2)	16mm
1st Maximum Cutting Depth (l2)	40mm
Overall Length (l1)	95mm
Cobalt (CoHSS)	8% Cobalt
Shank Type	Plain Shank