

VERTEX VP-380



Vertex Adjustable Angle Plate

380 x 255 x 181mm

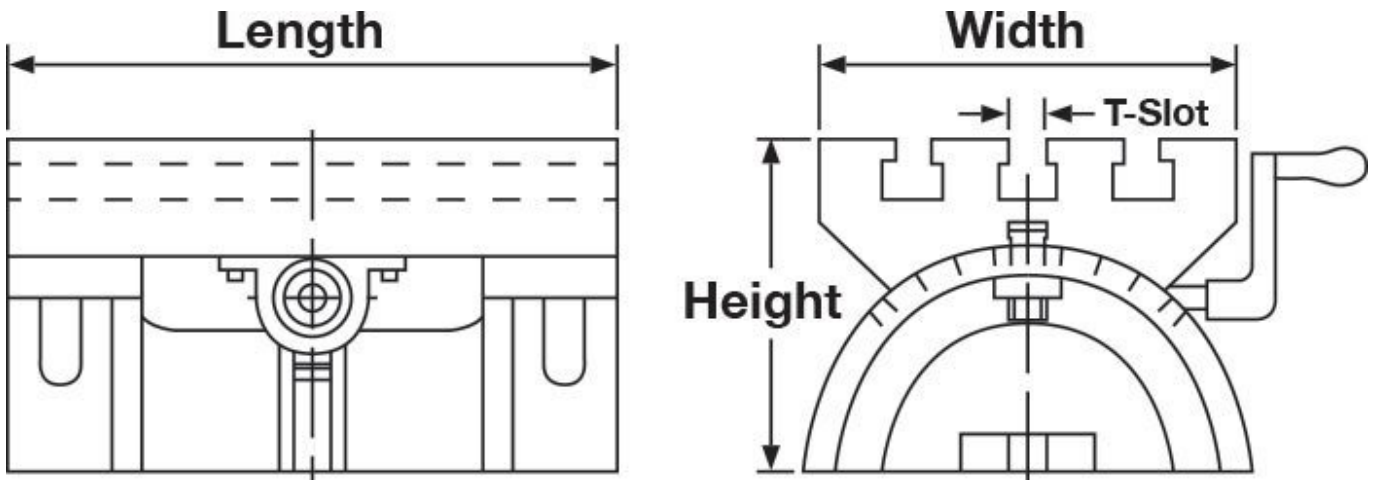


VERTEX Vertex Adjustable Angle Plate VP-380

Features

- Angle settings on any machine with no problem
- Adjustable 45° both sides
- Made of FC25 cast iron
- Low plate height and bigger working space

Specifications



| | |
|-------------------------|--------|
| ORDER CODE | M201 |
| MODEL | VP-380 |
| Length (mm) | 380 |
| Width (mm) | 255 |
| Height (mm) | 181 |
| T-slot Size (mm) | 16 |
| Nett Weight (kg) | 69 |