

TOOLMASTER



NT50-NT40 Milling Adaptor



TOOLMASTER NT50-NT40 Milling Adaptor

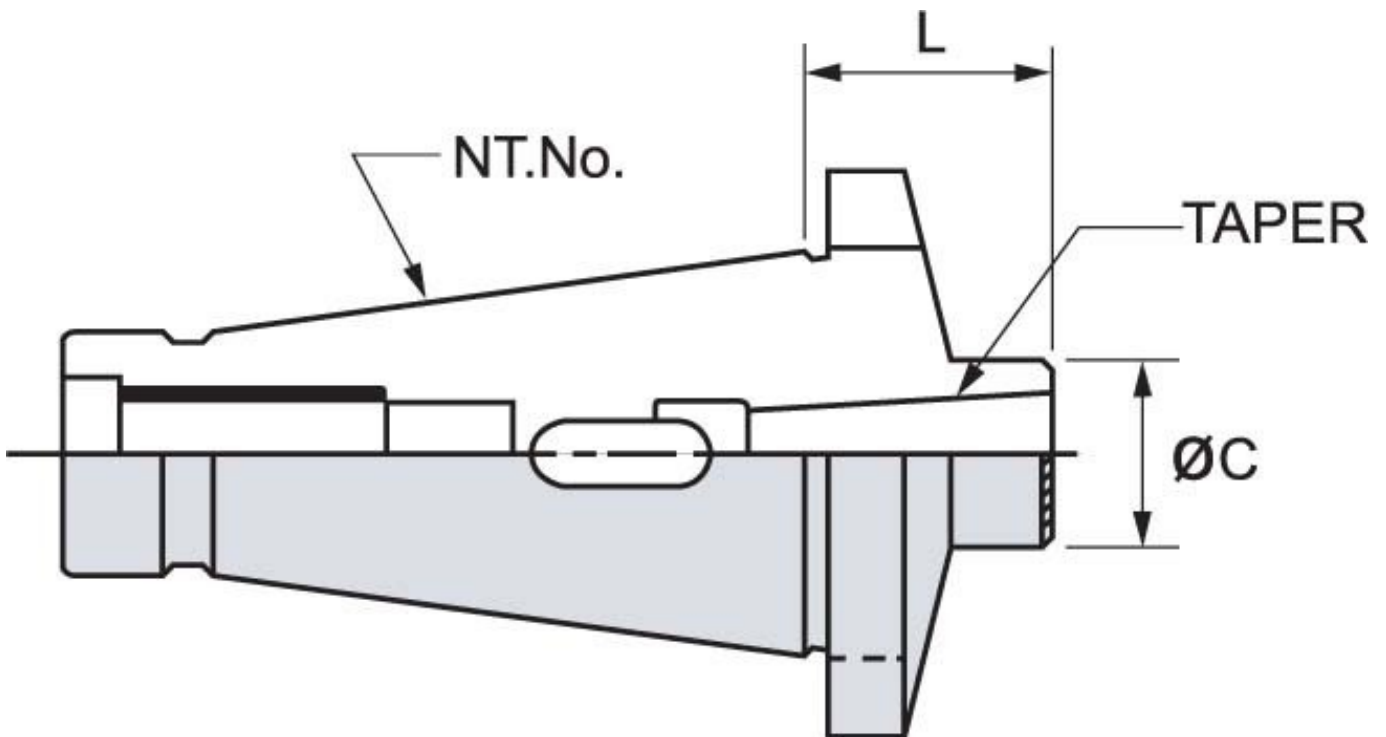
Description

Precision reducing adaptor for NT50 to NT40

Features

- External and Internal taper precision ground

Specifications



ORDER CODE	M173
MODEL	NT50-NT40
Outer Taper	NT50
Inside Taper	NT40
Drawbar Thread (mm / inch)	24mm
L (mm)	23
C (mm)	~
Nett Weight (kg)	2.00