

**TOOLMASTER Model C**

**Quick Change Toolpost**

**280mm Lathe Centre Height**



**TOOLMASTER Quick Change Toolpost Model C****Description**

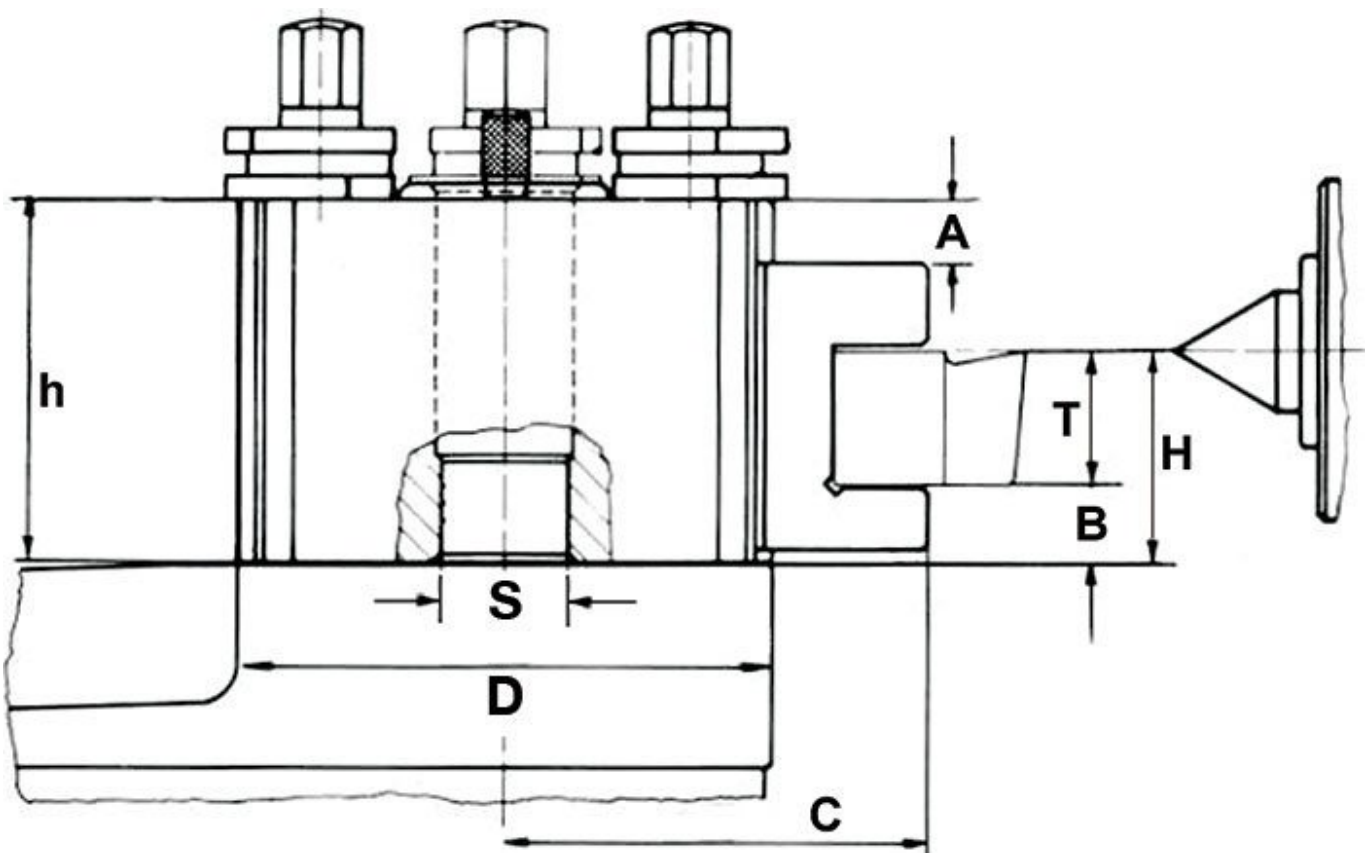
Manufactured from carbonized and hardened steel.  
Italian design style.

**Features**

- All bearing surfaces are precision ground to ensure rigidity
- Handy lathe accessory for tool rooms and general engineering shops
- Ease of operation cuts set-up time by 90%
- No shims are required to adjust tools to correct centre height
- Easily fitted to most centre lathes
- Please Note: Some machining required to suit your lathe

**Includes**

- 4 x Square Tool Holders - for 32mm tools
- 1 x Vee Tool Holders - for boring bars

**Specifications****ORDER CODE**

L297

**MODEL**

C

## TOOLMASTER Quick Change Toolpost Model C

<b>Lathe Centre Height (mm)</b>	280
<b>Lathe Swing (mm)</b>	560
<b>A (mm)</b>	21
<b>B (mm)</b>	19
<b>C (mm)</b>	108
<b>D (mm)</b>	145
<b>E (mm)</b>	~
<b>H (mm)</b>	51 - 72
<b>h (mm)</b>	94
<b>S (mm)</b>	38
<b>T (mm)</b>	32
<b>Y (mm)</b>	~
<b>Number of Sides (No.)</b>	3
<b>Number of Holders (No.)</b>	5
<b>Nett Weight (kg)</b>	26