

TOOLMASTER Model B

Quick Change Toolpost

230mm Lathe Centre Height



TOOLMASTER Quick Change Toolpost Model B

Description

Manufactured from carbonized and hardened steel.
Italian design style.

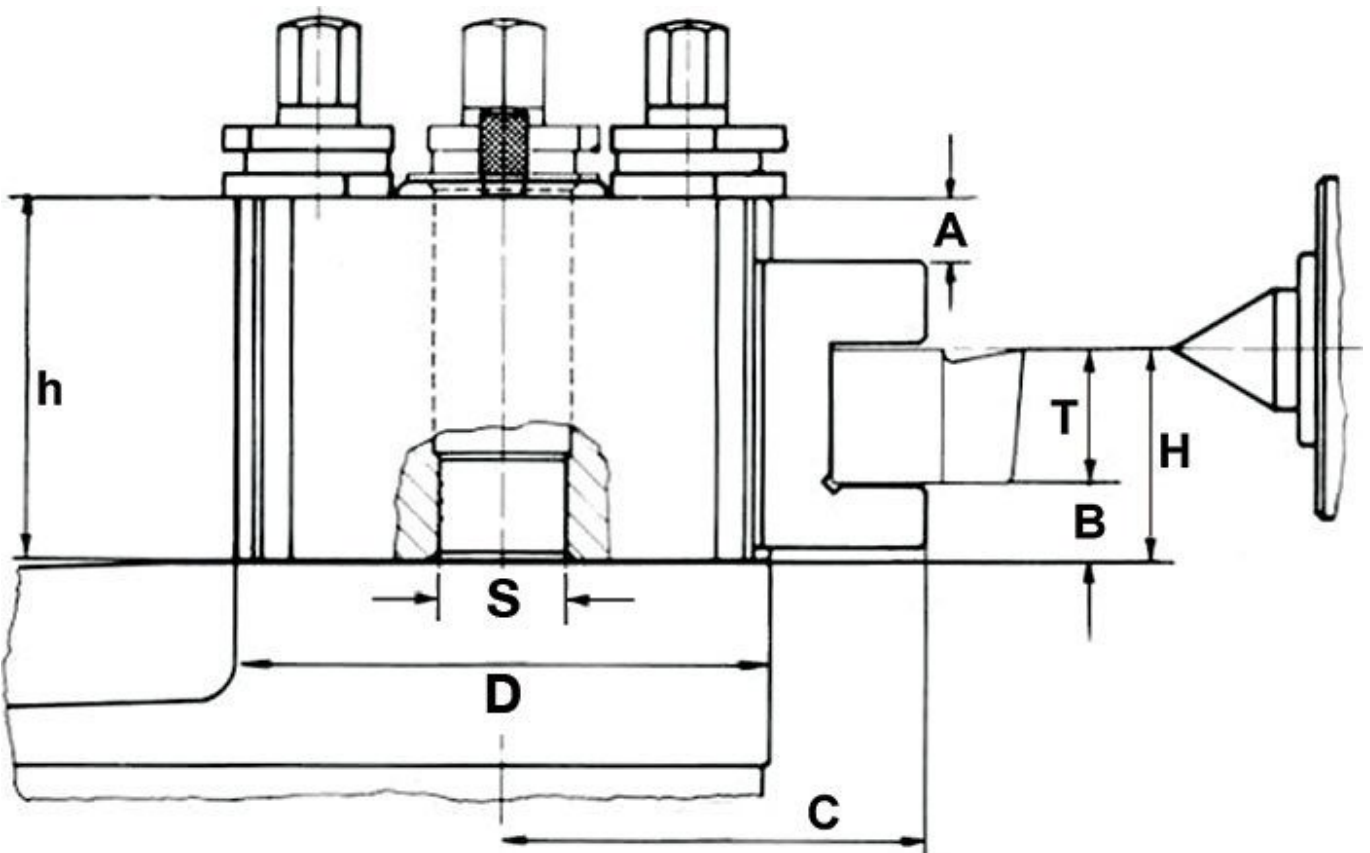
Features

- All bearing surfaces are precision ground to ensure rigidity
- Handy lathe accessory for tool rooms and general engineering shops
- Ease of operation cuts set-up time by 90%
- No shims are required to adjust tools to correct centre height
- Easily fitted to most centre lathes
- Please Note: Some machining required to suit your lathe

Includes

- 4 x Square Tool Holders - for 32mm tools
- 1 x Vee Tool Holders - for boring bars

Specifications



ORDER CODE	L296
MODEL	B

TOOLMASTER Quick Change Toolpost Model B

Lathe Centre Height (mm)	230
Lathe Swing (mm)	460
A (mm)	18
B (mm)	15
C (mm)	100
D (mm)	125
E (mm)	~
H (mm)	47 - 65
h (mm)	85
S (mm)	30
T (mm)	32
Y (mm)	~
Number of Sides (No.)	3
Number of Holders (No.)	5
Nett Weight (kg)	22