

TOOLMASTER BR-BP

Quick Change Toolpost

202mm Lathe Centre Height



TOOLMASTER Quick Change Toolpost BR-BP

Description

Manufactured from carbonized and hardened steel.
 Italian design style.

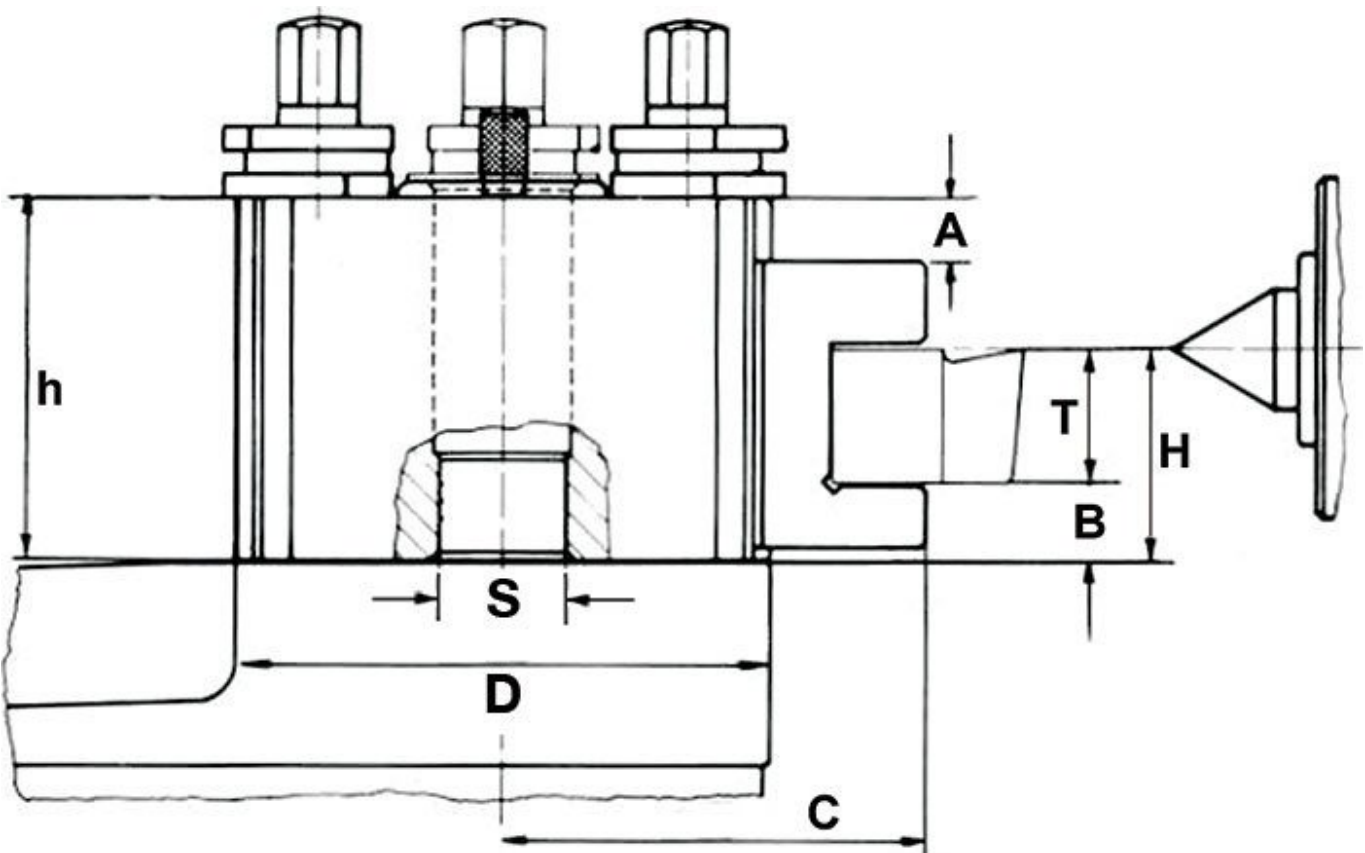
Features

- All bearing surfaces are precision ground to ensure rigidity
- Handy lathe accessory for tool rooms and general engineering shops
- Ease of operation cuts set-up time by 90%
- No shims are required to adjust tools to correct centre height
- Easily fitted to most centre lathes
- Please Note: Some machining required to suit your lathe

Includes

- 5 x Square Tool Holders - for 25mm tools
- 1 x Vee Tool Holders - for boring bars

Specifications



ORDER CODE	L294
MODEL	BR-BP
Lathe Centre Height (mm)	202

TOOLMASTER Quick Change Toolpost BR-BP

Lathe Swing (mm)	404
A (mm)	15
B (mm)	13
C (mm)	90
D (mm)	115
E (mm)	~
H (mm)	38 - 53
h (mm)	75
S (mm)	28
T (mm)	25
Y (mm)	~
Number of Sides (No.)	3
Number of Holders (No.)	6
Nett Weight (kg)	17.5