

HAFCO QA-140



Quick Change Toolpost

150 - 170mm Lathe Centre Height



HAFCO Quick Change Toolpost QA-140



Toolpost Rear View



Toolpost



Toolpost With Holder



Holders



Holder Profiles

Description

Manufactured from carbonised and hardened steel.

Features

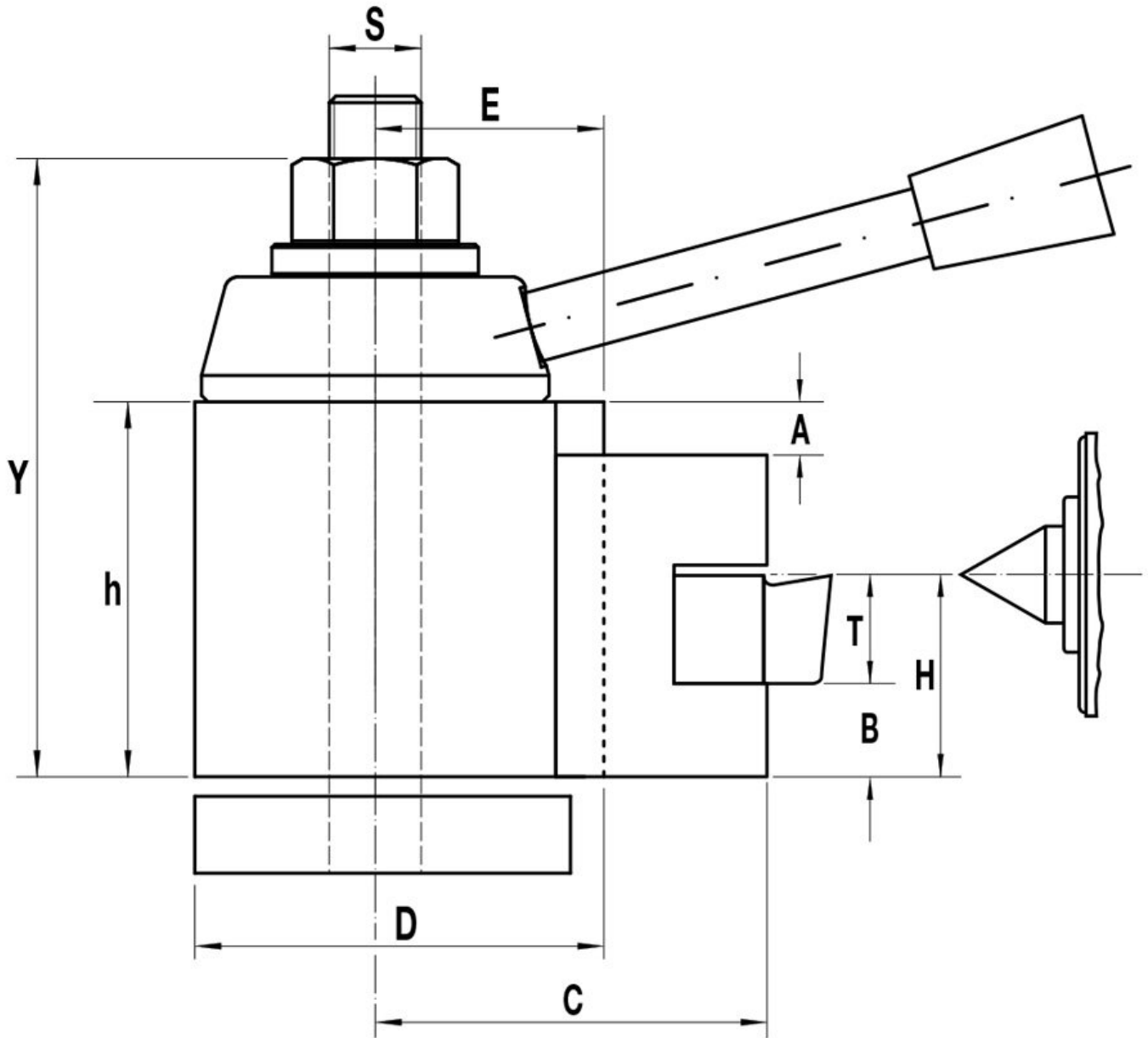
- All bearing surfaces are precision ground to ensure rigidity
- Handy lathe accessory for tool rooms and general engineering shops
- Ease of operation cuts set-up time by 90%
- No shims are required to adjust tools to correct centre height
- Easily fitted to most centre lathes
- Please Note: Some machining required to suit your lathe

Includes

- 4 x Square Tool Holders - for 16mm tools

HAFCO Quick Change Toolpost QA-140

Specifications



HAFCO Quick Change Toolpost QA-140

ORDER CODE

HAFCO Quick Change Toolpost QA-140

L292

MODEL	QA-140
Lathe Centre Height (mm)	150 - 170
Lathe Swing (mm)	300 - 340
A (mm)	25
B (mm)	12.65
C (mm)	61
D (mm)	72.6
E (mm)	41
H (mm)	28.65
h (mm)	69.85
S (mm)	M16 x 1.5
T (mm)	16
Y (mm)	112
Number of Sides (No.)	2
Number of Holders (No.)	4
Nett Weight (kg)	6.2