

**SUMITOMO APMT 103504PDER-H****Carbide Inserts - Milling****Grade ACZ330, General Purpose, 10mm**

**SUMITOMO Carbide Inserts - Milling APMT 103504PDER-H**

Tip

**Description**

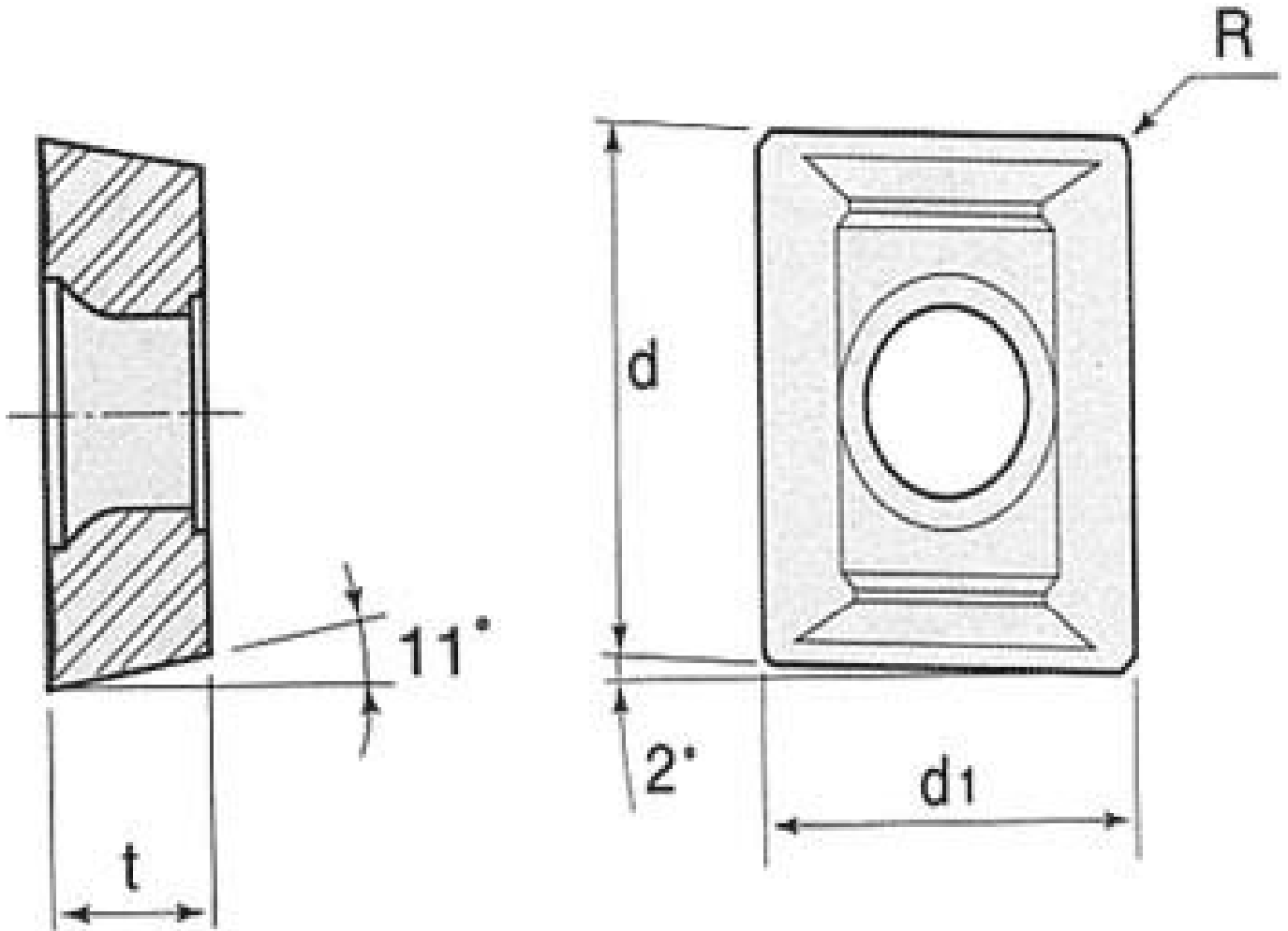
INDEXABLE INSERTS

**Features**

- ACZ330 - Coated grade: Suitable for general purpose milling in steels and stainless steel. Covers a range from P10-P30
- 10 Inserts Per Pack

**Specifications**

**SUMITOMO Carbide Inserts - Milling APMT 103504PDER-H**



<b>ORDER CODE</b>	L059
<b>ISO</b>	APMT 103504PDER-H
<b>Grade</b>	ACZ330
<b>t (mm)</b>	3.3
<b>m (mm)</b>	~
<b>a (mm)</b>	~
<b>b (mm)</b>	~
<b>l (mm)</b>	~
<b>d (mm)</b>	9.75

**SUMITOMO Carbide Inserts - Milling APMT 103504PDER-H**

d1 (mm)	6.2
R (mm)	0.4
Quantity of Inserts (No.)	10