

TOOLMASTER WTJNR-2020-K16

Right Hand Turning Tool Holder

20mm Tool Height



TOOLMASTER Right Hand Turning Tool Holder WTJNR-2020-K16

Description

Quality Tipped Tool Holders ISO Standard to suit Tungsten Carbide Indexable Insert Tips.

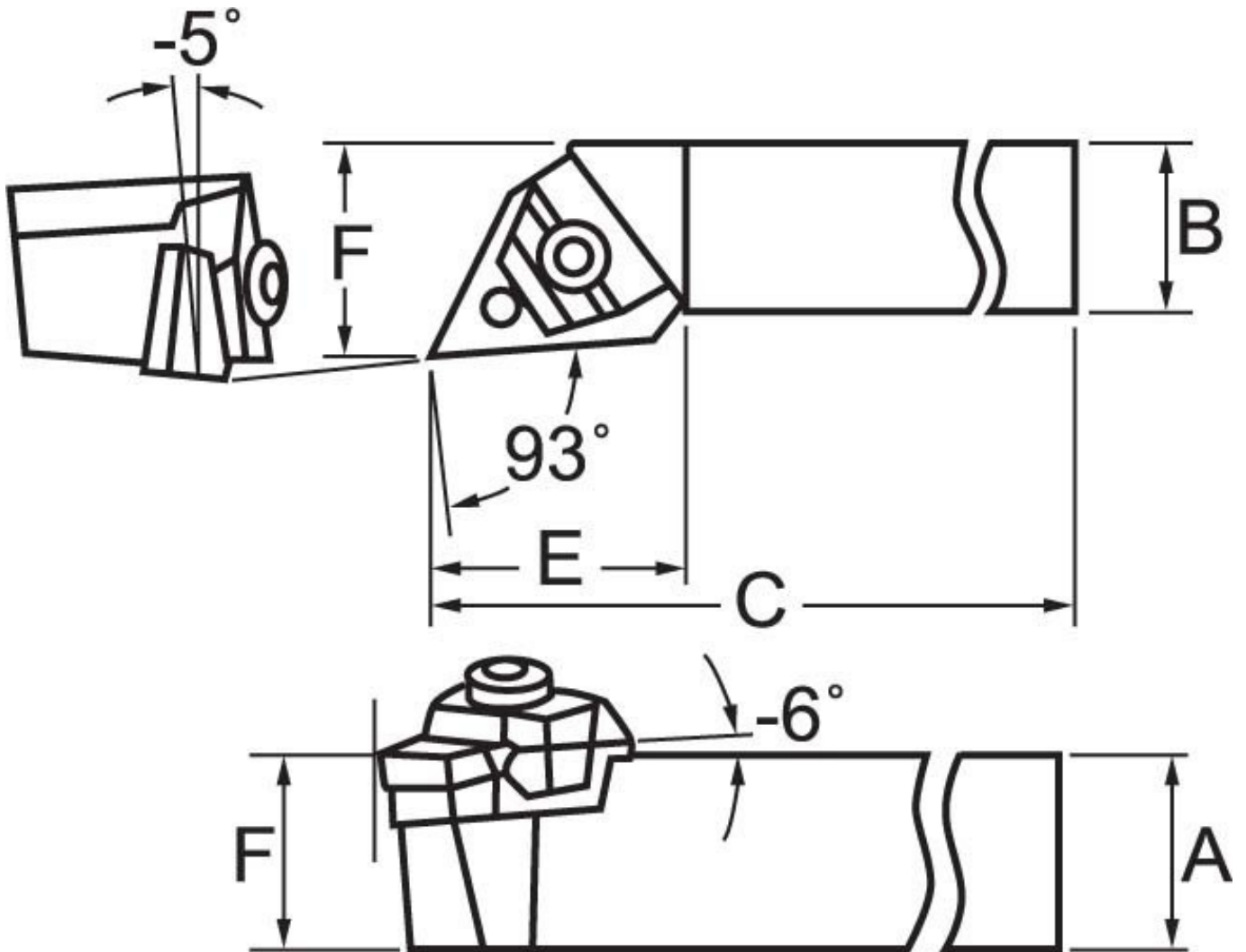
NOTE: Inserts not included with tool holders

Use insert TNMG 160408 (L064)

Features

- Negative rake turning tool holder with 93° approach angle
- Suitable for rapid metal removal
- Right hand tool holder suitable for turning towards the chuck

Specifications



ORDER CODE	L046
Part Number - Style	WTJN
Tool Height Size (mm)	20

TOOLMASTER Right Hand Turning Tool Holder WTJNR-2020-K16

Clamping Method of Insert	~
Category	~
Connection style	~
Back End Size	~
Application	~
Hand Type	Right
Holder Style	~
Clearance Angle	~
Insert Type	TNMG16
A (H) (mm)	20
B (mm)	20
C (LF) (mm)	125
LH (mm)	~
F (WF) (mm)	20
E (mm)	32