

TOOLMASTER MWLNR-2525-M08

Right Hand Turning Tool Holder

25mm Tool Height



TOOLMASTER Right Hand Turning Tool Holder MWLNR-2525-M08



Side View

Description

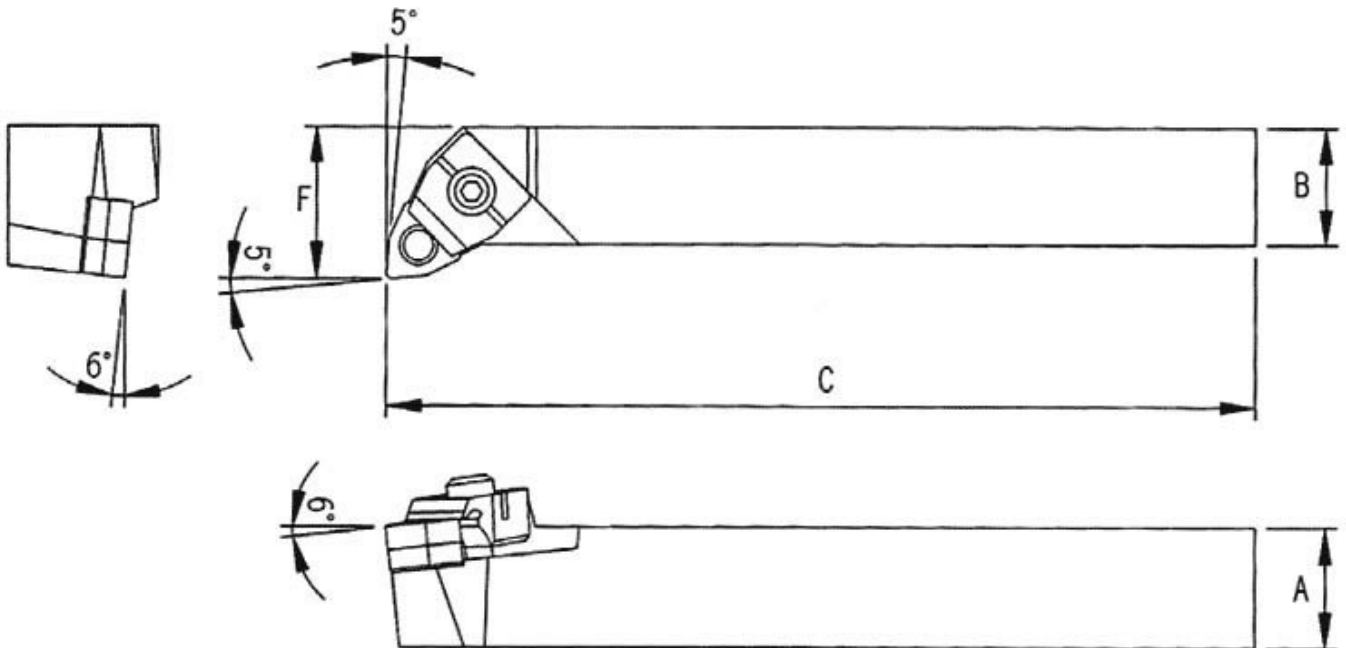
NOTE: Inserts not included with tool holders

Use insert WNMG 080408 (L053)

Features

- Negative rake turning tool holder suitable for turning and facing
- Suitable for rapid metal removal

Specifications



| | |
|----------------------------|------|
| ORDER CODE | L041 |
| Part Number - Style | MWLN |

TOOLMASTER Right Hand Turning Tool Holder MWLNR-2525-M08

| | |
|----------------------------------|--------|
| Tool Height Size (mm) | 25 |
| Clamping Method of Insert | ~ |
| Category | ~ |
| Connection style | ~ |
| Back End Size | ~ |
| Application | ~ |
| Hand Type | Right |
| Holder Style | ~ |
| Clearance Angle | ~ |
| Insert Type | WNMG08 |
| A (H) (mm) | 25 |
| B (mm) | 25 |
| C (LF) (mm) | 150 |
| LH (mm) | ~ |
| F (WF) (mm) | 32 |
| E (mm) | ~ |