

**TOOLMASTER MWLNL-2020-K08**

**Left Hand Turning Tool Holder**

**20mm Tool Height**



## TOOLMASTER Left Hand Turning Tool Holder MWLNL-2020-K08



Side View



Top View

### Description

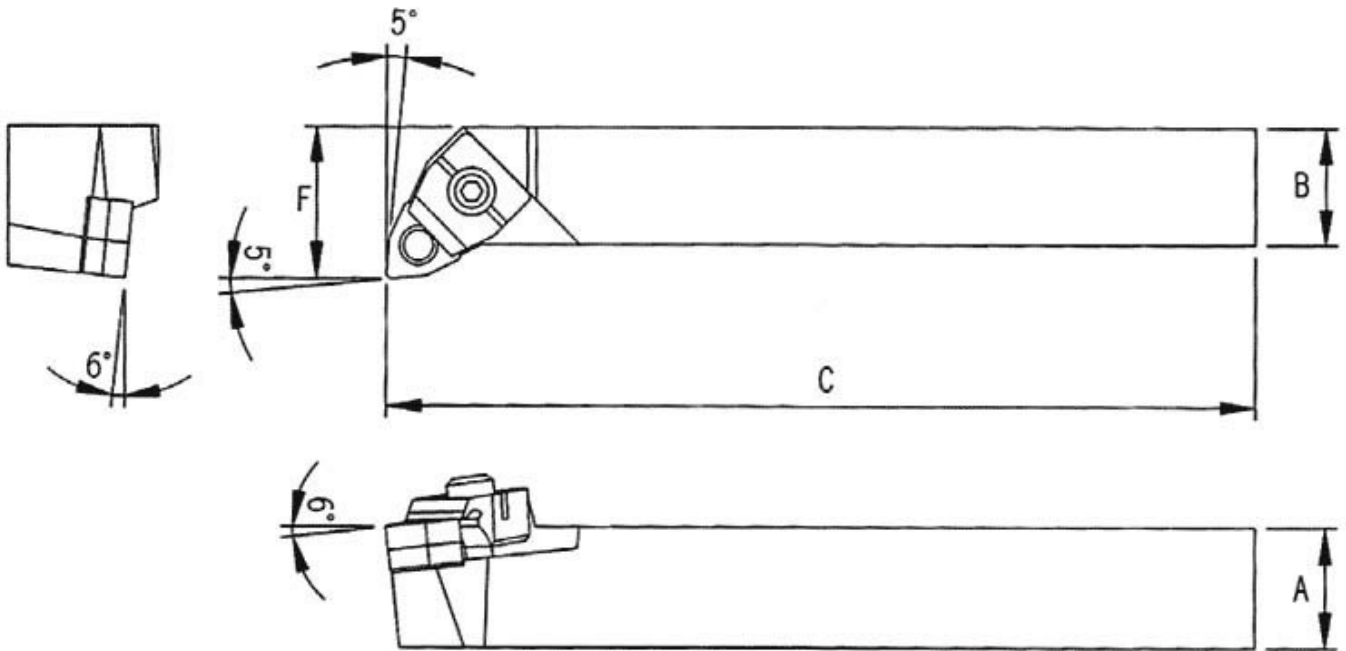
NOTE: Inserts not included with tool holders

Use insert WNMG 080408 (L053)

### Features

- Negative rake turning tool holder suitable for turning and facing
- Suitable for rapid metal removal

### Specifications



ORDER CODE	L040
Part Number - Style	MWLN

## TOOLMASTER Left Hand Turning Tool Holder MWLNL-2020-K08

<b>Tool Height Size (mm)</b>	20
<b>Clamping Method of Insert</b>	~
<b>Category</b>	~
<b>Connection style</b>	~
<b>Back End Size</b>	~
<b>Application</b>	~
<b>Hand Type</b>	Left
<b>Holder Style</b>	~
<b>Clearance Angle</b>	~
<b>Insert Type</b>	WNMG08
<b>A (H) (mm)</b>	20
<b>B (mm)</b>	20
<b>C (LF) (mm)</b>	125
<b>LH (mm)</b>	~
<b>F (WF) (mm)</b>	25
<b>E (mm)</b>	~