

TOOLMASTER MWLNR-2020-K08W

Right Hand Turning Tool Holder

20mm Tool Height



TOOLMASTER Right Hand Turning Tool Holder MWLNR-2020-K08W



Close Up



Shown with insert sold separately

Description

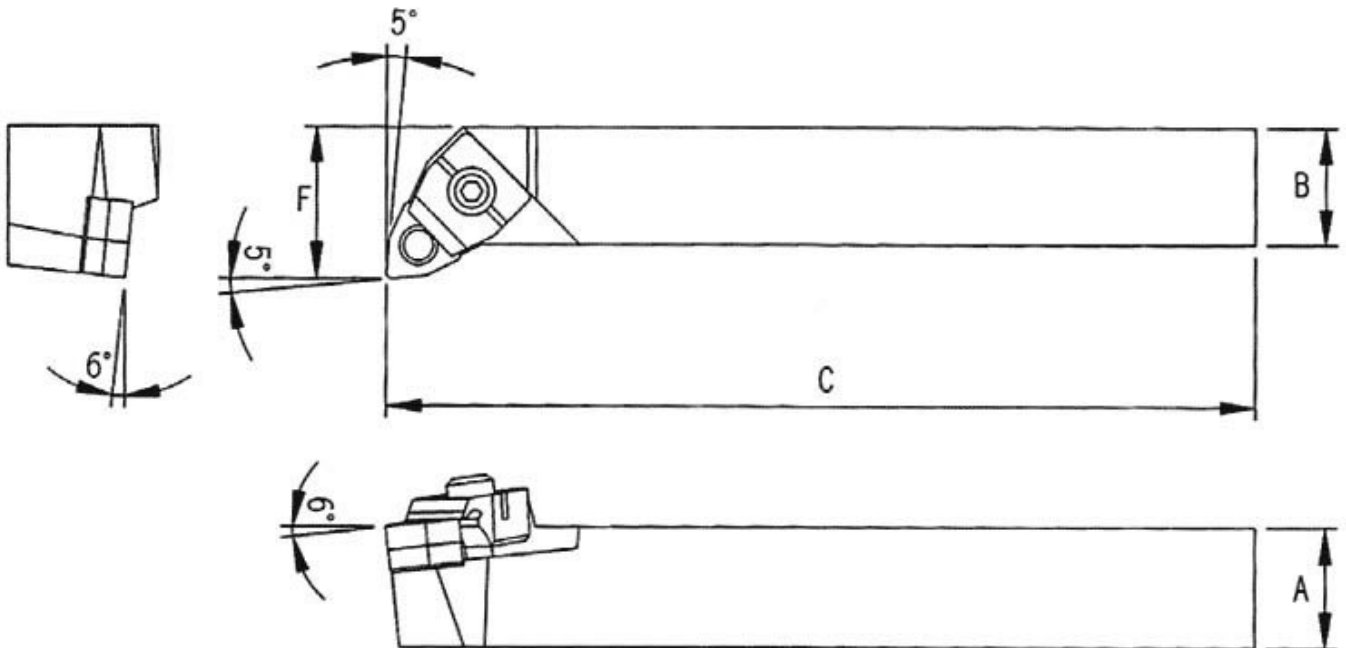
NOTE: Inserts not included with tool holders

Use insert WNMG 080408 (L053)

Features

- Negative rake turning tool holder suitable for turning and facing
- Suitable for rapid metal removal

Specifications



ORDER CODE	L039
Part Number - Style	MWLN

TOOLMASTER Right Hand Turning Tool Holder MWLNR-2020-K08W

Tool Height Size (mm)	20
Clamping Method of Insert	~
Category	~
Connection style	~
Back End Size	~
Application	~
Hand Type	Right
Holder Style	~
Clearance Angle	~
Insert Type	WNMG08
A (H) (mm)	20
B (mm)	20
C (LF) (mm)	125
LH (mm)	~
F (WF) (mm)	25
E (mm)	~