

TOOLMASTER S20S-STFCR-11

Right Hand Boring Bar

Ø20mm



TOOLMASTER Right Hand Boring Bar S20S-STFCR-11



Side View



Top View

Description

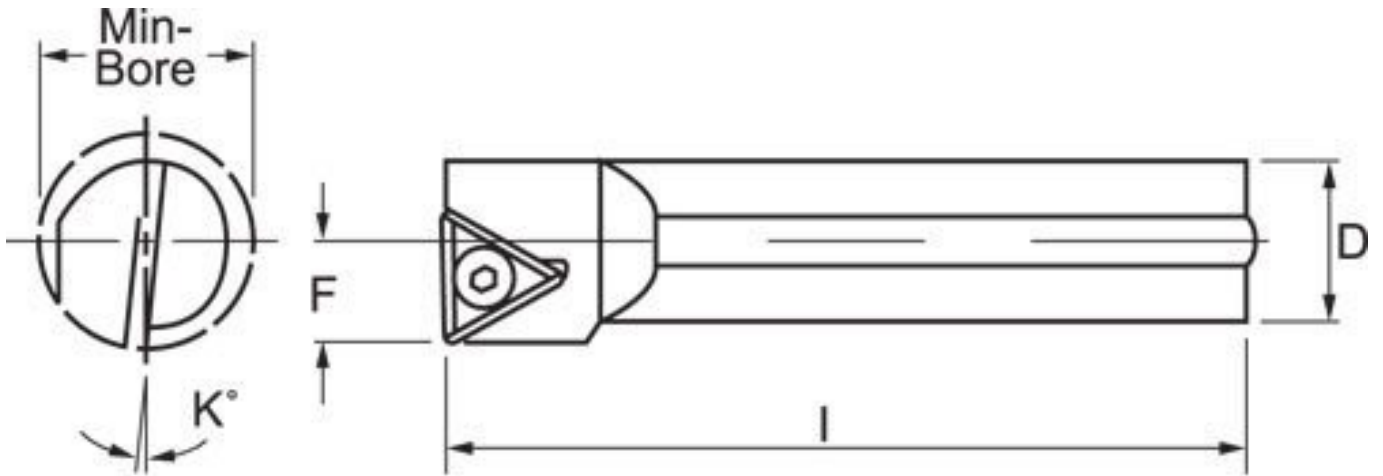
NOTE: Inserts NOT included with tool holders.

Use insert TCMT 110204 (L062)

Features

- Positive rake boring bar with 90° approach angle
- Suitable for low powered machines

Specifications



ORDER CODE	L023
Part Number - Style	STFC
Size (mm)	20
Hand Type	RIGHT
B = Minimum Bore (mm)	25
D (mm)	20
F (mm)	13
L (mm)	250
K (deg)	3°
Minimum Bore (mm)	23