



TOOLMASTER S12M-STFCR-11

Right Hand Boring Bar

Ø12mm



TOOLMASTER Right Hand Boring Bar S12M-STFCR-11



Full View

Description

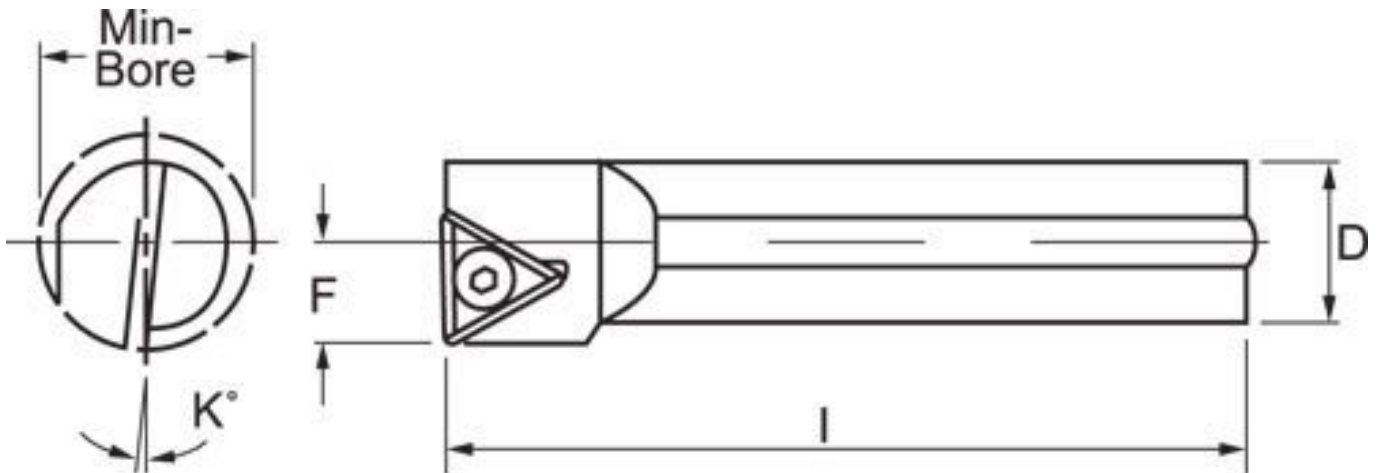
NOTE: Inserts NOT included with tool holders.

Use insert TCMT 110204 (L062)

Features

- Positive rake boring bar with 90° approach angle
- Suitable for low powered machines

Specifications



ORDER CODE	L021
Part Number - Style	STFC
Size (mm)	12
Hand Type	RIGHT
B = Minimum Bore (mm)	16
D (mm)	12
F (mm)	9
L (mm)	150
K (deg)	10°
Minimum Bore (mm)	15