

HAFCO LG-13

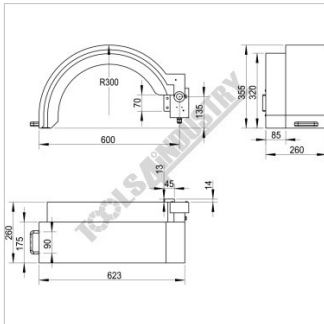


Lathe Safety Chuck Guard

330mm Centre Height



HAFCO Lathe Safety Chuck Guard LG-13



Dimensions

Features

- Retro fits to lathe headstock with a 330mm centre height
- Suits up to Ø400mm lathe chucks
- Swivel steel safety chuck guard with handle
- Includes safety chuck guard, mounting bracket with micro switch and wiring
- Micro switch recommended for 12V or 24V
- Installation required by a licensed electrician

Specifications

ORDER CODE	G616
MODEL	LG-13
Guard Type	Safety Chuck Guard
Material Type	Steel
Leadscrew Cover Width (mm)	~
Suits Lathe - Distance Between Centres (mm)	~
Suits Lathe Centre Height (mm)	330
Suits Lathe Chuck Size Max. (mm)	Ø400