

**TOOLMASTER**



**Diamond Wheel - Bowl**

**150mm**

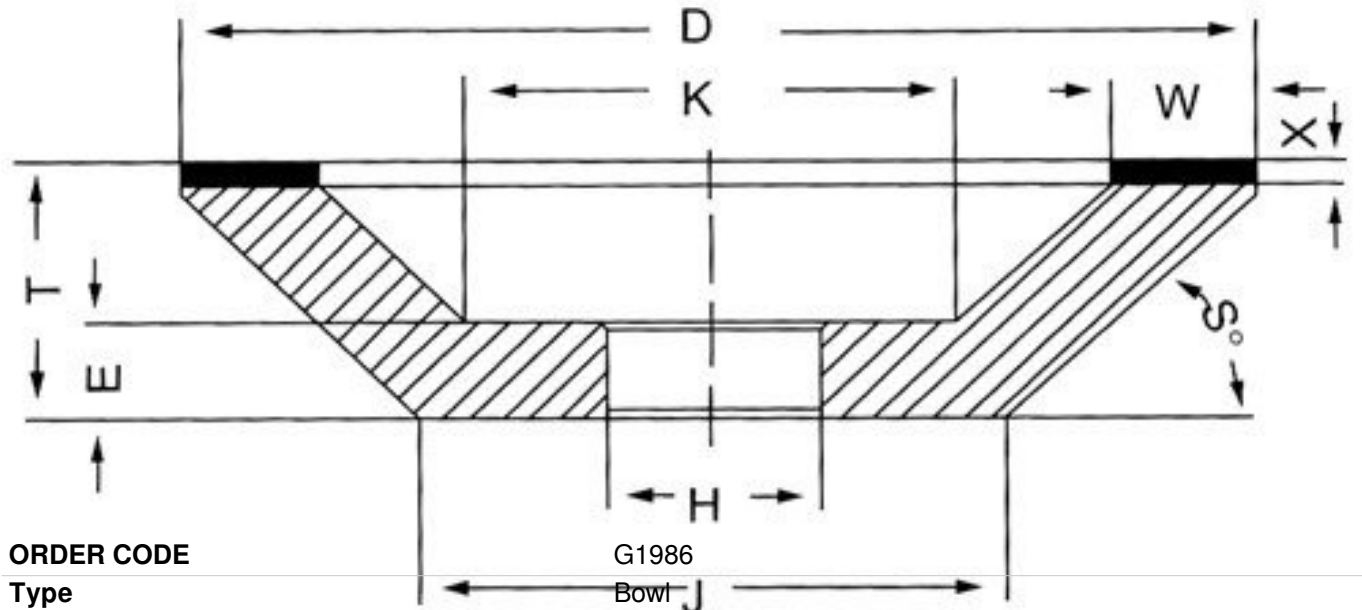


**TOOLMASTER Diamond Wheel - Bowl**

**Description**

Diamond Wheel suitable for all tool and cutter grinders with 32mm bore.

**Specifications**



<b>ORDER CODE</b>	G1986
<b>Type</b>	Bowl
<b>D (mm)</b>	150
<b>E (mm)</b>	10
<b>H (mm)</b>	32
<b>J (mm)</b>	96
<b>K (mm)</b>	93
<b>S (Deg)</b>	45
<b>T (mm)</b>	32
<b>W (mm)</b>	5
<b>X (mm)</b>	4