

**TOOLMASTER**

**NT30 x JT3 Drill Chuck Arbor**

**Suits Ø16mm Drill Chucks**



## TOOLMASTER NT30 x JT3 Drill Chuck Arbor

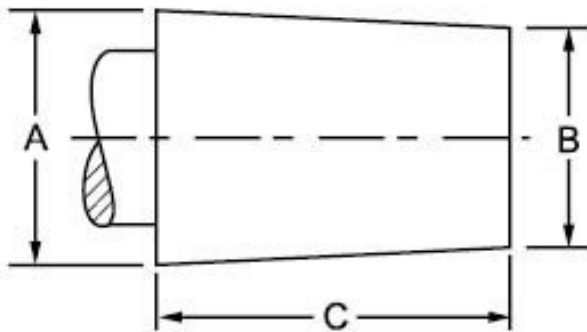
### Description

Drill chuck arbors have one end which is the taper of the machine. The most common are Morse Tapers for mounting in a drill press spindle or lathe, or NT tapers for mounting in Milling machines. The other end of the arbor is a short taper called a Jacobs Taper that is driven into the taper of the chuck body. The JT taper or Jacobs Taper is the most commonly used taper for mounting a drill chuck. The most common tapers used in Australia are JT2, JT3, JT4 & JT6

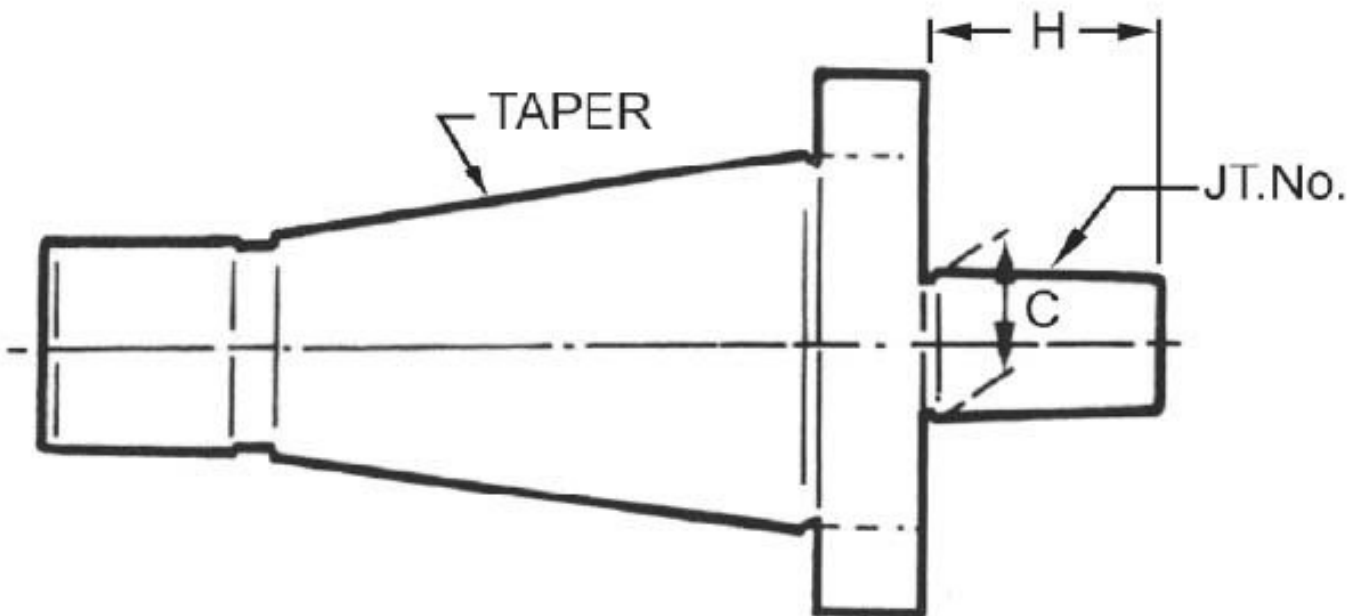
### Features

- Hardened & precision ground with M12 drawbar thread

### Specifications



JACOBS TAPER SPECIFICATIONS			
TAPER	A	B	C
JT2	0.559"	0.487"	0.875"
JT3	0.811"	0.746"	1.219"
JT6	0.676"	0.624"	1.000"



ORDER CODE	D451
Long Taper (MT)	NT30
Short Taper (JT)	JT3
Suits Chuck Size (mm)	16
Threaded Shank	M12