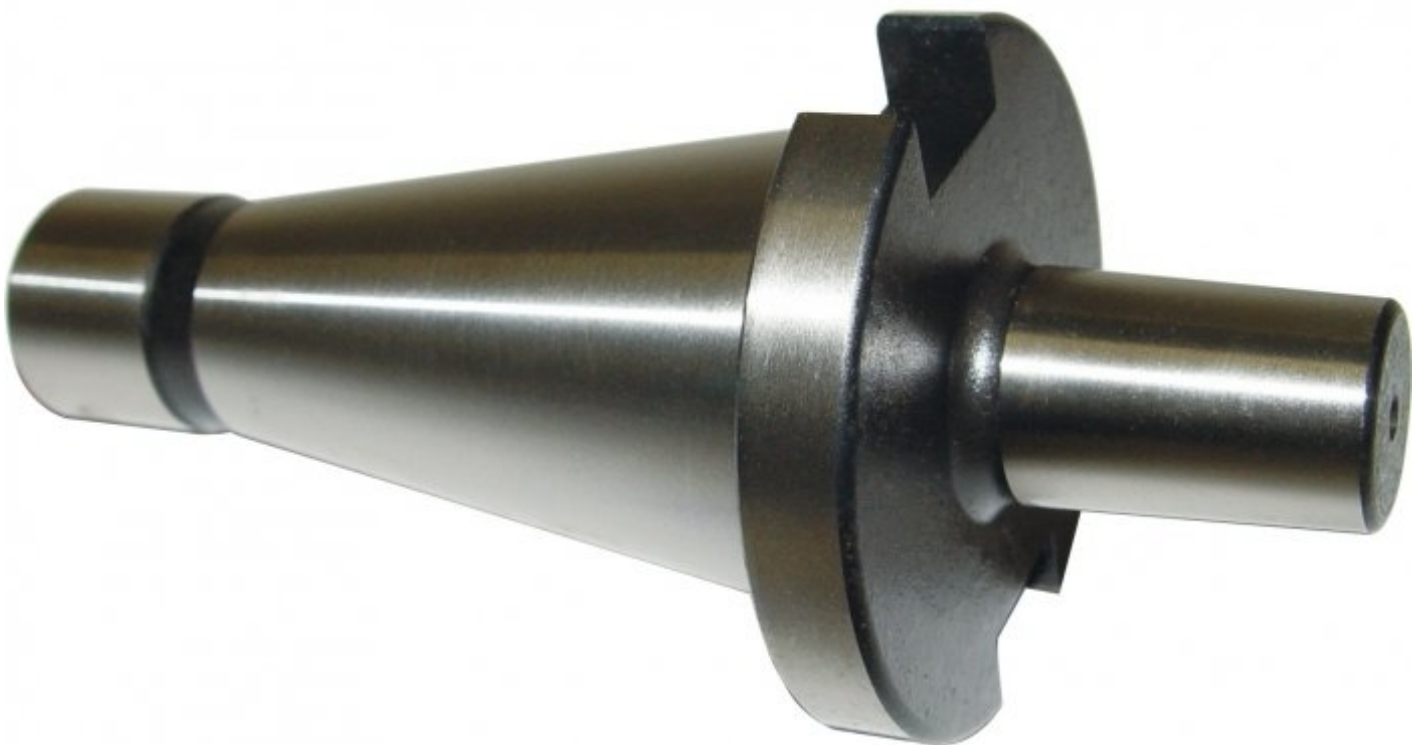


TOOLMASTER



NT40 x JT3 Drill Chuck Arbor - M16 Threaded Shank

Suits Ø16mm Drill Chucks



TOOLMASTER NT40 x JT3 Drill Chuck Arbor - M16 Threaded Shank

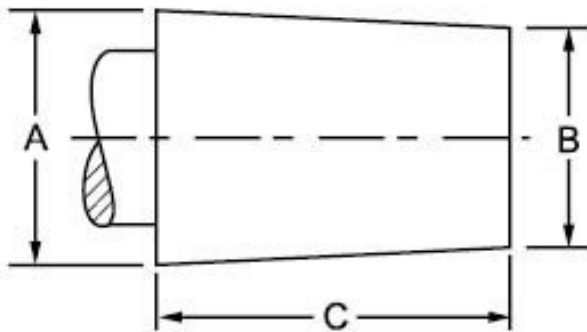
Description

Drill chuck arbors have one end which is the taper of the machine. The most common are Morse Tapers for mounting in a drill press spindle or lathe, or NT tapers for mounting in Milling machines. The other end of the arbor is a short taper called a Jacobs Taper that is driven into the taper of the chuck body. The JT taper or Jacobs Taper is the most commonly used taper for mounting a drill chuck. The most common tapers used in Australia are JT2, JT3, JT4 & JT6

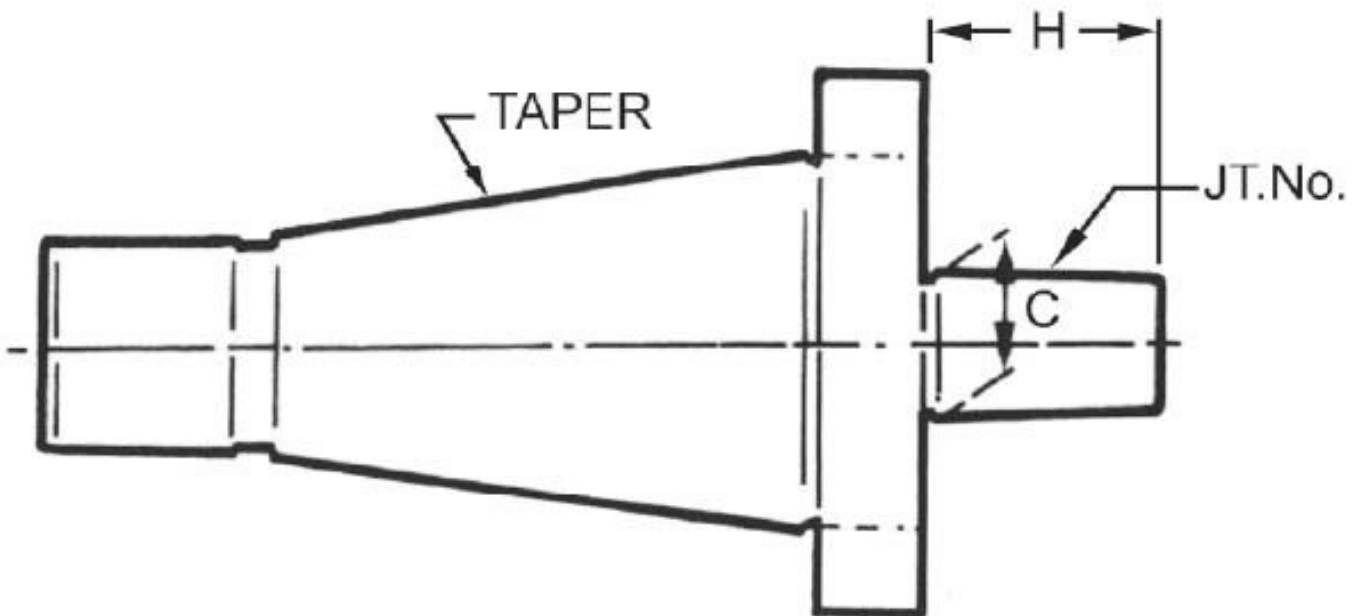
Features

- Hardened & precision ground with M16 drawbar thread

Specifications



JACOBS TAPER SPECIFICATIONS			
TAPER	A	B	C
JT2	0.559"	0.487"	0.875"
JT3	0.811"	0.746"	1.219"
JT6	0.676"	0.624"	1.000"



ORDER CODE	D448
Long Taper (MT)	NT40
Short Taper (JT)	JT3
Suits Chuck Size (mm)	16
Threaded Shank	M16