

**HAFCO**



**CNC Lathe - Tee Nut Sets B-200**

**Suit Size 10**



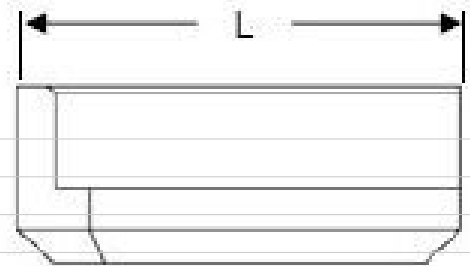
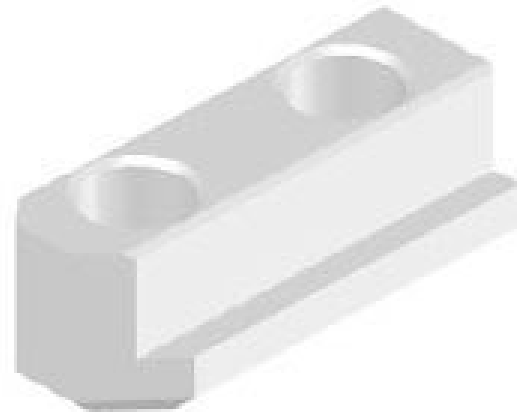
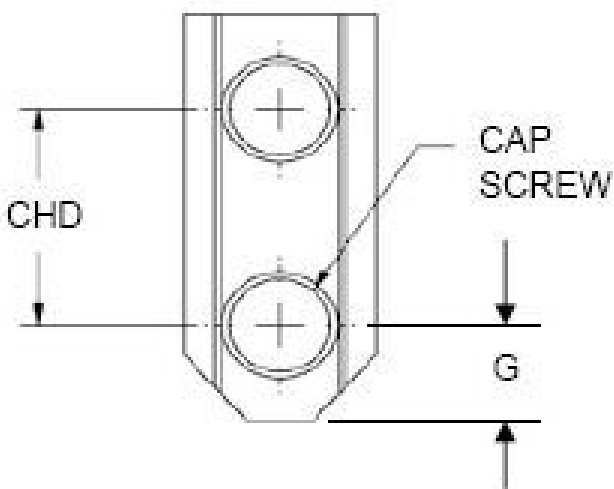
## HAFCO CNC Lathe - Tee Nut Sets B-200

### Description

Suits Kitagawa Chucks

### Specifications

#### CHUCK JAWS T-NUTS HARDENED AND GROUND



ORDER CODE	C8006
Type	B-200
Suit Size (mm)	10
H (mm)	21.5
h1 (mm)	13
h2 (mm)	8.5
B (mm)	22.5
L (mm)	51
G (mm)	11
CHD (mm)	30
S (mm)	16
Cap Screw (mm)	M12