

HAFCO



CNC Lathe - Tee Nut Sets Type B

Suit Size 10



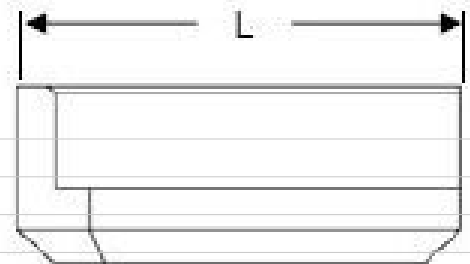
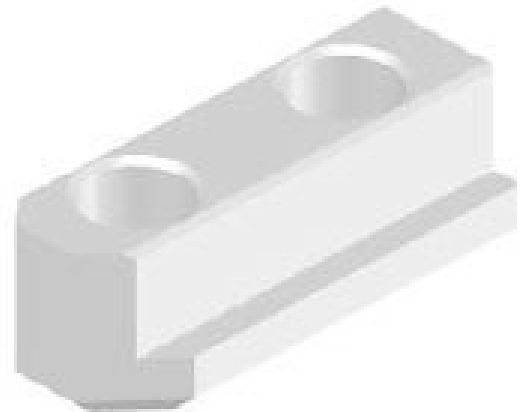
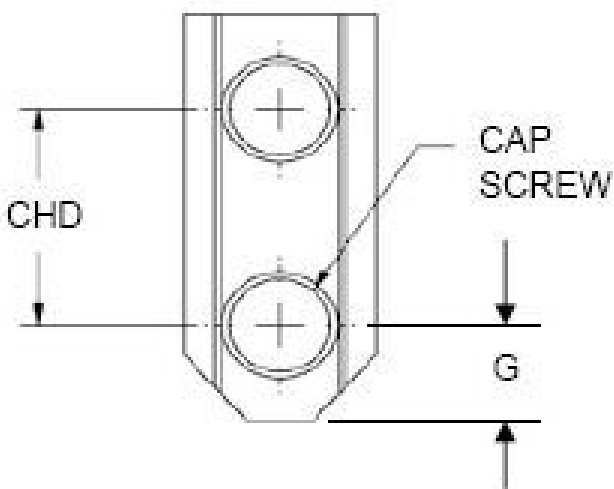
HAFCO CNC Lathe - Tee Nut Sets Type B

Description

Suits Kitagawa Chucks

Specifications

CHUCK JAWS T-NUTS HARDENED AND GROUND



ORDER CODE	C8005
Type	Type B
Suit Size (mm)	10
H (mm)	25.5
h1 (mm)	16
h2 (mm)	9.5
B (mm)	22.5
L (mm)	55
G (mm)	11
CHD (mm)	30
S (mm)	16
Cap Screw (mm)	M12