

**HAFCO**



**CNC Lathe - Tee Nut Sets B-200**

**Suit Size 8**



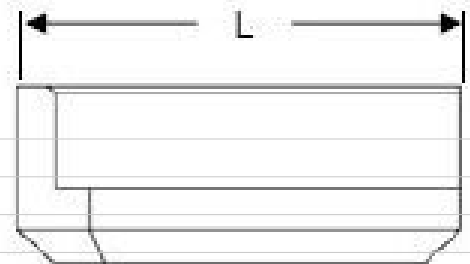
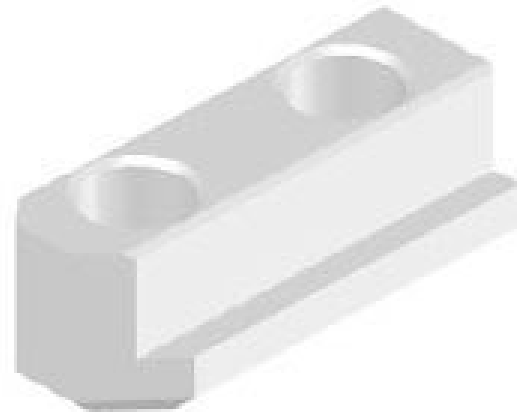
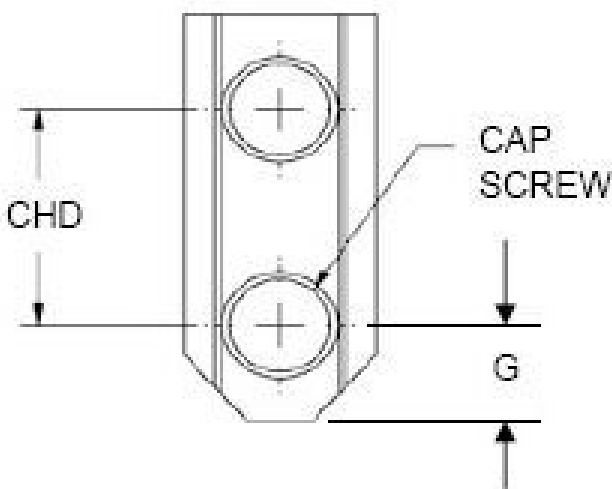
**HAFCO CNC Lathe - Tee Nut Sets B-200**

**Description**

Suits Kitagawa Chucks

**Specifications**

**CHUCK JAWS T-NUTS  
 HARDENED AND GROUND**



ORDER CODE	C7986
Type	B-200
Suit Size (mm)	8
H (mm)	20.5
h1 (mm)	12
h2 (mm)	8.5
B (mm)	20.5
L (mm)	46.5
G (mm)	10.5
CHD (mm)	25
S (mm)	14
Cap Screw (mm)	M12