

**HAFCO**



**CNC Lathe - Tee Nuts Sets Type B**

**Suit Size 8**



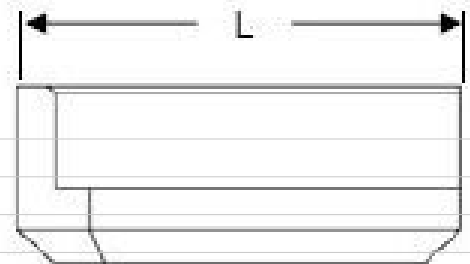
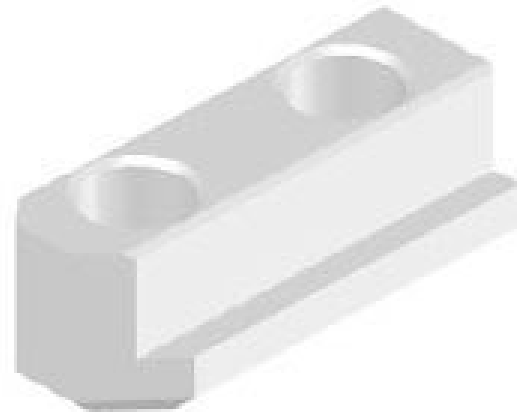
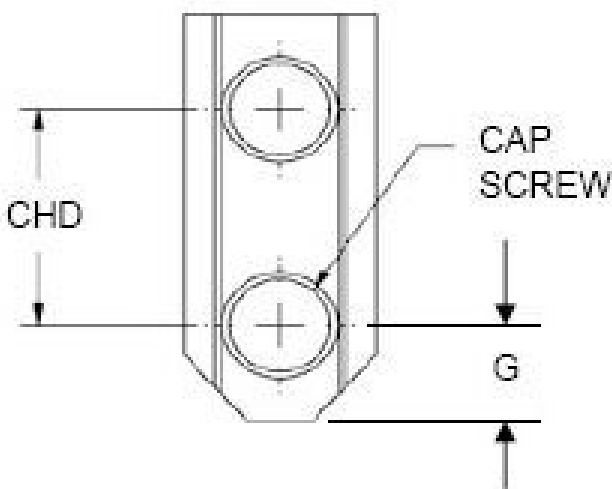
## HAFCO CNC Lathe - Tee Nuts Sets Type B

### Description

Suits Kitagawa Chucks

### Specifications

#### CHUCK JAWS T-NUTS HARDENED AND GROUND



ORDER CODE	C7985
Type	Type B
Suit Size (mm)	8
H (mm)	25.5
h1 (mm)	16
h2 (mm)	9.5
B (mm)	20.5
L (mm)	48
G (mm)	11
CHD (mm)	25
S (mm)	14
Cap Screw (mm)	M12