

TOOLMASTER K12-125

4 Jaw Self Centring Lathe Chuck

Ø125mm



TOOLMASTER 4 Jaw Self Centring Lathe Chuck K12-125



Back Plate Mount



Included Accessories



Front View

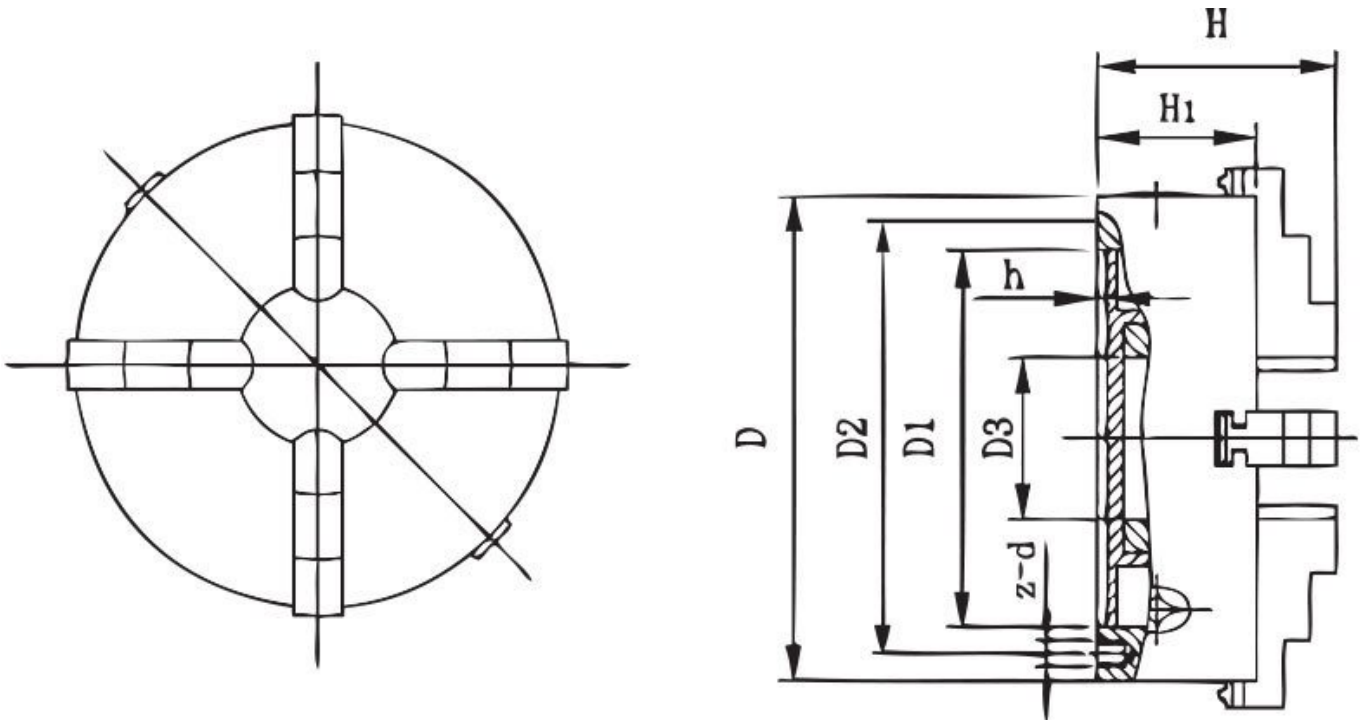
Description

125mm 4-JAW SELF-CENTRING LATHE CHUCK
Manufactured cast iron.
Available only in back mount.

Includes

- 1 x set of outside hard jaws
- 1 x set of inside hard jaws
- 1 x key
- 1 x set of mounting screws

Specifications



TOOLMASTER 4 Jaw Self Centring Lathe Chuck K12-125

ORDER CODE

TOOLMASTER 4 Jaw Self Centring Lathe Chuck K12-125

C722

Size (mm)	Ø125
Outside Jaw (mm)	2.5 - 40
Inside Jaw (mm)	38 - 110
Speed (rpm)	3000
D1 (mm)	95
D2 (mm)	108
D3 (bore) (mm)	30
H (mm)	84
H1 (mm)	58
h (mm)	4
z-d (mm)	3-M8
Nett Weight (kg)	5.1