



TOOLMASTER K12-100

4 Jaw Self Centring Lathe Chuck

Ø100mm



TOOLMASTER 4 Jaw Self Centring Lathe Chuck K12-100



Back Plate Mount



Included Accessories



Front View

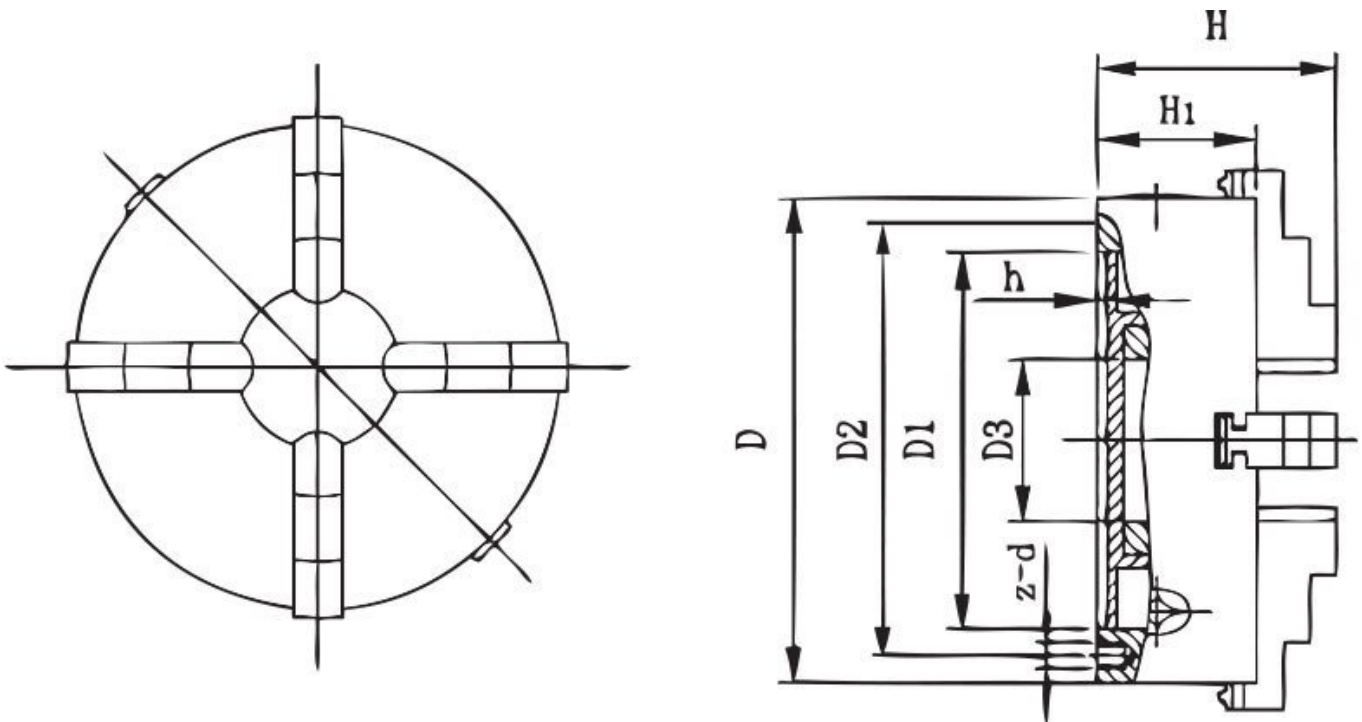
Description

100mm 4-JAW SELF-CENTRING LATHE CHUCK
Manufactured from cast iron.
Available only in back mount.

Includes

- 1 x set of outside hard jaws
- 1 x set of inside hard jaws
- 1 x key
- 1 x set of mounting screws

Specifications



TOOLMASTER 4 Jaw Self Centring Lathe Chuck K12-100

ORDER CODE

TOOLMASTER 4 Jaw Self Centring Lathe Chuck K12-100

C721

Size (mm)	Ø100
Outside Jaw (mm)	2 - 30
Inside Jaw (mm)	30 - 80
Speed (rpm)	3500
D1 (mm)	72
D2 (mm)	84
D3 (bore) (mm)	22
H (mm)	74.5
H1 (mm)	55
h (mm)	3.5
z-d (mm)	3-M8
Nett Weight (kg)	3