

HAFCO CW150S



Industrial Caster Wheels

Ø150mm Wheels



HAFCO Industrial Caster Wheels CW150S



Foot Brake Activated



Foot Brake Released



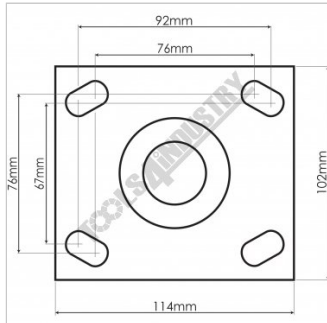
Top View



Ball Bearings Base with Greasing Nipple



Foot Brake With Swivel Base Lock



Base Diagram

Description

Industrial quality Ø150mm caster wheels, Tyre is made from tough elastic rubber with an load capacity of up to 450kg per caster.

Features

- Ø150mm x 50mm wide steel wheel with bonded polyurethane
- 2 x swivel wheels with brake
- 450kg each wheel capacity
- Brake also locks wheel from swivelling
- Swivel base incorporates ball bearings
- Ball bearing sealed race on main shaft
- Mounting plate 114 x 102mm with 4 slotted holes

Specifications

ORDER CODE	C414
MODEL	CW-150S
Quantity of Wheels in Pack (No.)	2
Wheel Type	2 Swivel/Brake
Wheel Diameter (mm)	Ø150
Wheel Width (mm)	50
Total Height to Top of Plate (mm)	~
Load Capacity per Wheel (kg)	450
Load Capacity per Set (kg)	900
Nett Weight (kg)	9

HAFCO Industrial Caster Wheels CW150S