

TOOLMASTER K11-400/D1-8

3 Jaw Self Centring Lathe Chuck

Ø400mm



TOOLMASTER 3 Jaw Self Centring Lathe Chuck K11-400/D1-8

Camlock Mount



Included Accessories



Front View

Description

K11 SERIES Cast Iron Body
Standard GB/T 4346.2-2002

Features

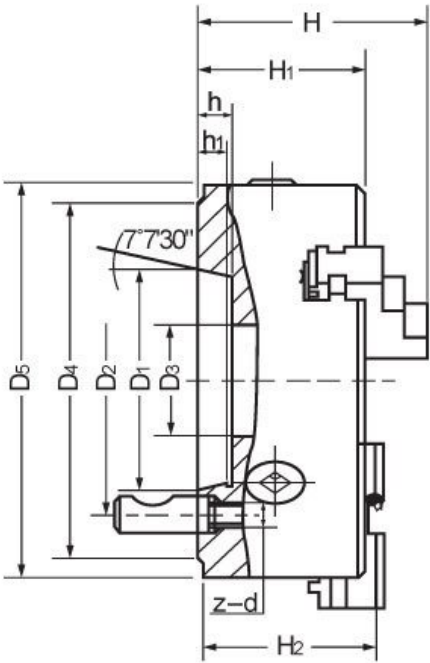
- Manufactured by the world's largest chuck producer, established in 1938
- ToolMaster quality assurance and accuracy testing ensure standards remain high. ToolMaster is ISO 9001-2000 approved
- Each chuck is supplied with a set of inside and outside jaws and a chuck key

Includes

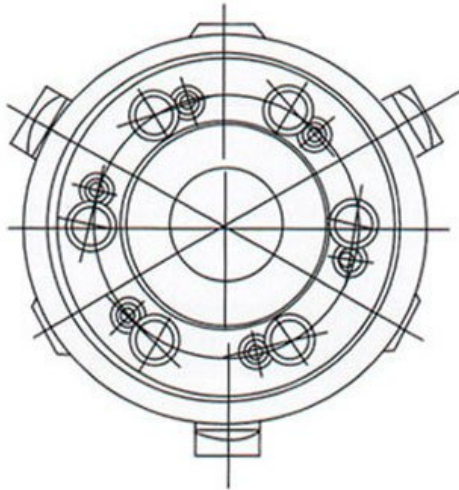
- Outside jaws
- Inside jaws
- Chuck key

Specifications

TOOLMASTER 3 Jaw Self Centring Lathe Chuck K11-400/D1-8



CAMLOCK



TOOLMASTER 3 Jaw Self Centring Lathe Chuck K11-400/D1-8

ORDER CODE

TOOLMASTER 3 Jaw Self Centring Lathe Chuck K11-400/D1-8

C2695

Chuck Size (mm)	Ø400
Camlock	D1-8
Outside Jaw (mm)	11.5 - 210
Inside Jaw (mm)	110 - 400
Speed (rpm)	1000
D1 (mm)	139.72
D2 (mm)	171.4
D3 (mm)	130
H (mm)	191.5
H1 (mm)	118
h (mm)	18
Nett Weight (kg)	81