

HAFCO HLB500



Lever Block

500 KG x 1.5 Metre



HAFCO Lever Block HLB500



Main View Handle Down



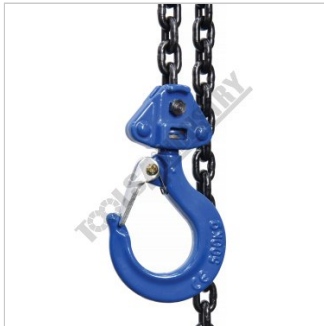
Side View



Front View



Lever Handle Mechanism



Bottom Hook Assembly

Description

HAFCO 500kg Lever Blocks are lightweight, compact, and ideal for rigging, construction, and mining applications. They feature a Grade 80 alloy load chain and a robust, space-saving steel body.

The ID plates are made from stainless steel, and the unit contains no aluminium components. Each unit is AS 1418.2 compliant and supplied with a test certificate for quality assurance.

Features

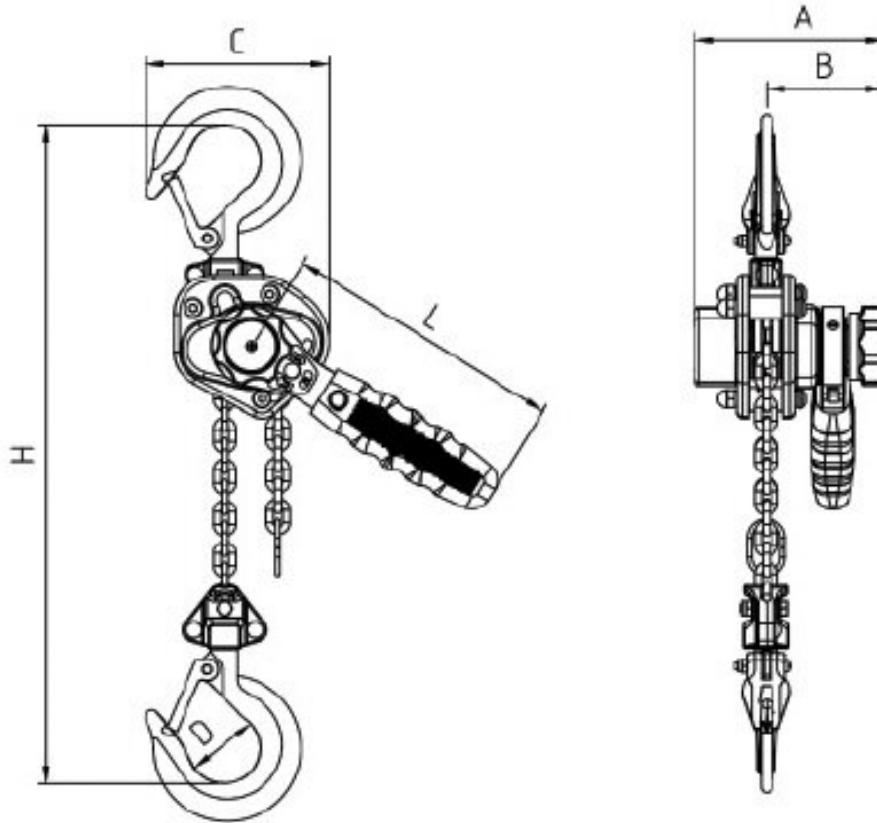
- Rated capacity: 500kg
 - Ergonomically compact design
 - Built for durability in harsh and rugged environments
 - Quick and easy chain adjustment for fast load positioning
 - Suitable for use in underground mining and heavy-duty applications
 - Ball bearing-mounted to bottom hook enable smooth rotation under load
 - Tested at a NATA-accredited facility in accordance with AS 1418.2
 - Fully enclosed design with sealed gear and brake systems for superior protection and durability
 - The short arm lever and precision gear ratio allow minimal effort to lift heavy loads with maximum
 - HAFCO ID plates and rivets are made from stainless steel a non-conductive material for added safety and durability
 - Each HAFCO Lever Block is load-tested to its rated capacity and supplied with a HAFCO test certificate, traceable to its stamped identification side plate
-
- Standard Lift -(Metres) 1.5
 - Test Load - (Tonne) 0.5
 - Headroom - (H mm) 250
 - Effort on lever to lift full load - (N) 240

HAFCO Lever Block HLB500

- No. of chain falls - 1
- Chain Size (mm) - 4.3x12
- Length of lever handle - (L) 160mm

Specifications

HAFCO Lever Block HLB500



MODEL		HLB250	HLB500
Capacity (kg)		250kg	500kg
Standards Lift (m)		1.5	1.5
Test Load (Tonne)		0.25	0.5
Headroom H (mm)		230	250
Effort on Lever to lift full load (N)		200	240
No. of chain falls		1	1
Dimensions (mm)	A (mm)	106	106
	B (mm)	66	66
	C (mm)	90	102
	D (mm)	32	34
Chain Size		4x12	4.3x12
Net Weight (kg)		2.3	2.8

HAFCO Lever Block HLB500

ORDER CODE

HAFCO Lever Block HLB500

C156

MODEL	HLB500
Lift Capacity (kg / Tonne)	500 / 0.5
Lift Height (Metre)	1.5
Weight (kg)	2.8