

HAFCO UB-100H



Industrial Manual Bar Bender

100 x 7mm



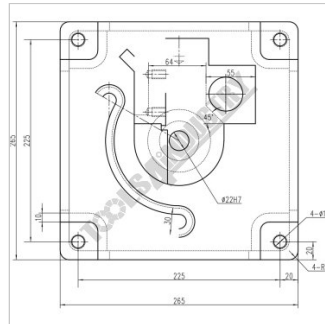
HAFCO Industrial Manual Bar Bender UB-100H



Handle



Left View



Base Dimensions

Description

For cold or hot bending of flat, round, and square steel

Features

- COLD BENDING - Flat 100x7mm, Square 20x20mm, Round Ø20mm, Angle Steel 75x8mm (only with pre-notching)
- HOT BENDING - Flat 100x12mm, Square 22x22mm, Round Ø22mm, Angle Steel 100x12mm (only with pre-notching)
- Mount to work bench with 4 mounting holes for sturdy operation
- Adjustable bending stop with angle scale up to 120°
- Adjustable material length stop for repeatability
- Eccentric quick action cam lever material clamp
- Wide supporting face ensuring safe and reliable operation

Specifications

ORDER CODE	B044
MODEL	UB-100H
Flat Bar Capacity - Mild Steel (mm)	100 x 7 60 x 8 40 x 10
Square Bar Capacity - Mild Steel (mm)	20 x 20
Round Bar Capacity - Mild Steel (mm)	Ø20
Bending Lever Length (mm)	1500
Nett Weight (kg)	45