

HAFCO TCS-907

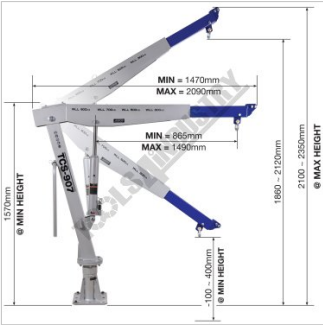


Swivel Crane - Truck or Ute

900kg Lifting Capacity



HAFCO Swivel Crane - Truck or Ute TCS-907



Dimensions



Arm Raised



Single Action Pump With Release Valve



Handle For Swiveling Crane



Locking Handle For Swivel Crane



2 Ton D Shackle & Pulley



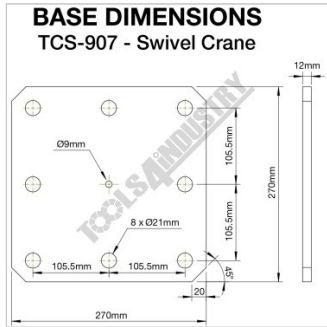
Jib Position Locking Pin



Hydraulic Ram



Mounting Base Plate



Base Dimensions

Description

Use it in your workshop or the back of your ute / truck. The base includes a tapered roller bearing for 360-degree swivel & the bow shackle lifting point to securely attach slings or chains.

HAFCO Swivel Crane - Truck or Ute TCS-907

Features

- Heavy duty steel construction with robot welded components
- 4 Lifting positions - 900kg, 700kg, 500kg & 300kg
- 360° swiveling base with taper roller bearing
- Supplied with a load rated bow shackle
- Max. Lift Height at 900kg Position = 1880mm
- Max. Lift Height at 300kg Position = 2150mm

Specifications

Order Code	A354
MODEL	TCS-907
Hydraulic Ram (Tonne)	3
Power Supply (V)	~
Single Line Lifting Capacity (kg)	900
Double Line Lifting Capacity (kg)	~
Lifting System (Type)	Hydraulic - Manual
Lift Capacity Pin Locations (Kg)	900, 700, 500 & 300
Steel Box Section Size - Vertical Support (mm)	100 x 80
Steel Box Section Size - Extension Arm Support (mm)	90 x 90
Max. Lift Height (Base to Lifting Shackle) (mm)	~
Min. Lift Height (Base to Lifting Shackle) (mm)	~
Overall Height - Boom at Lowest Position (mm)	1600
Nett Weight (kg)	88