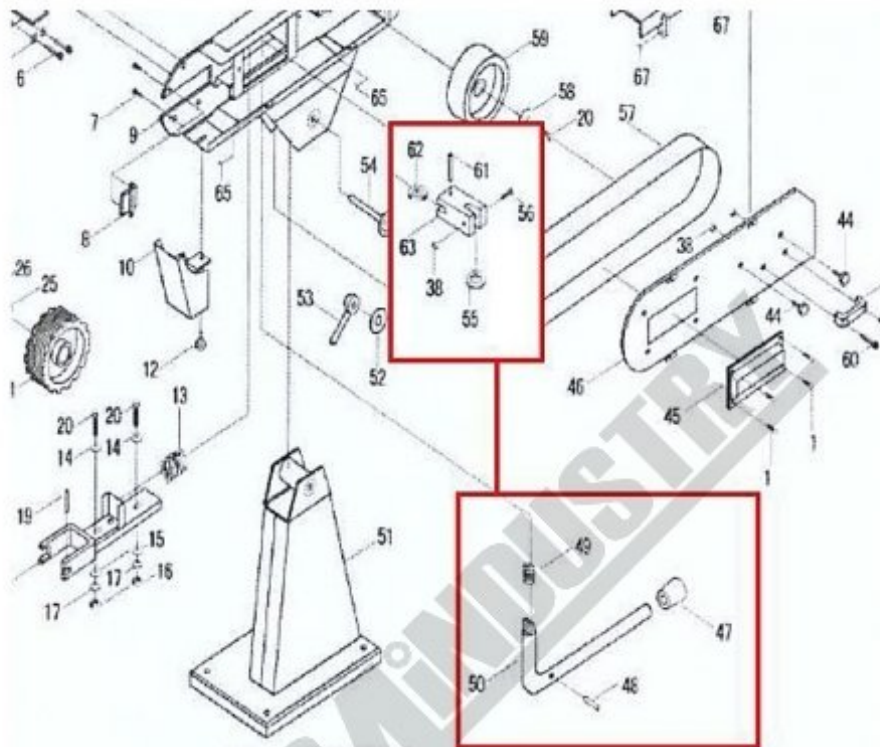


#38+47-50+55+56+61-63

HANDLE

TENSION RELEASE HANDLE ASSY



For JSG150

36	BOLT M8X12	2
47	PROPECT TUBE	1
48	PIN 3X20	1
49	SPRING	1
50	HAND BAR	1
55	FLAT WASHER Φ12	1
56	HEXAGONAL SOCKET SCREW M5X20	1
61	CUP HEAD COLUMNAR PIN ∅5X12	1
62	BEARING 16	1
63	HAND BAR COLLECTING ROD	1

HANDLE #38+47-50+55+56+61-63