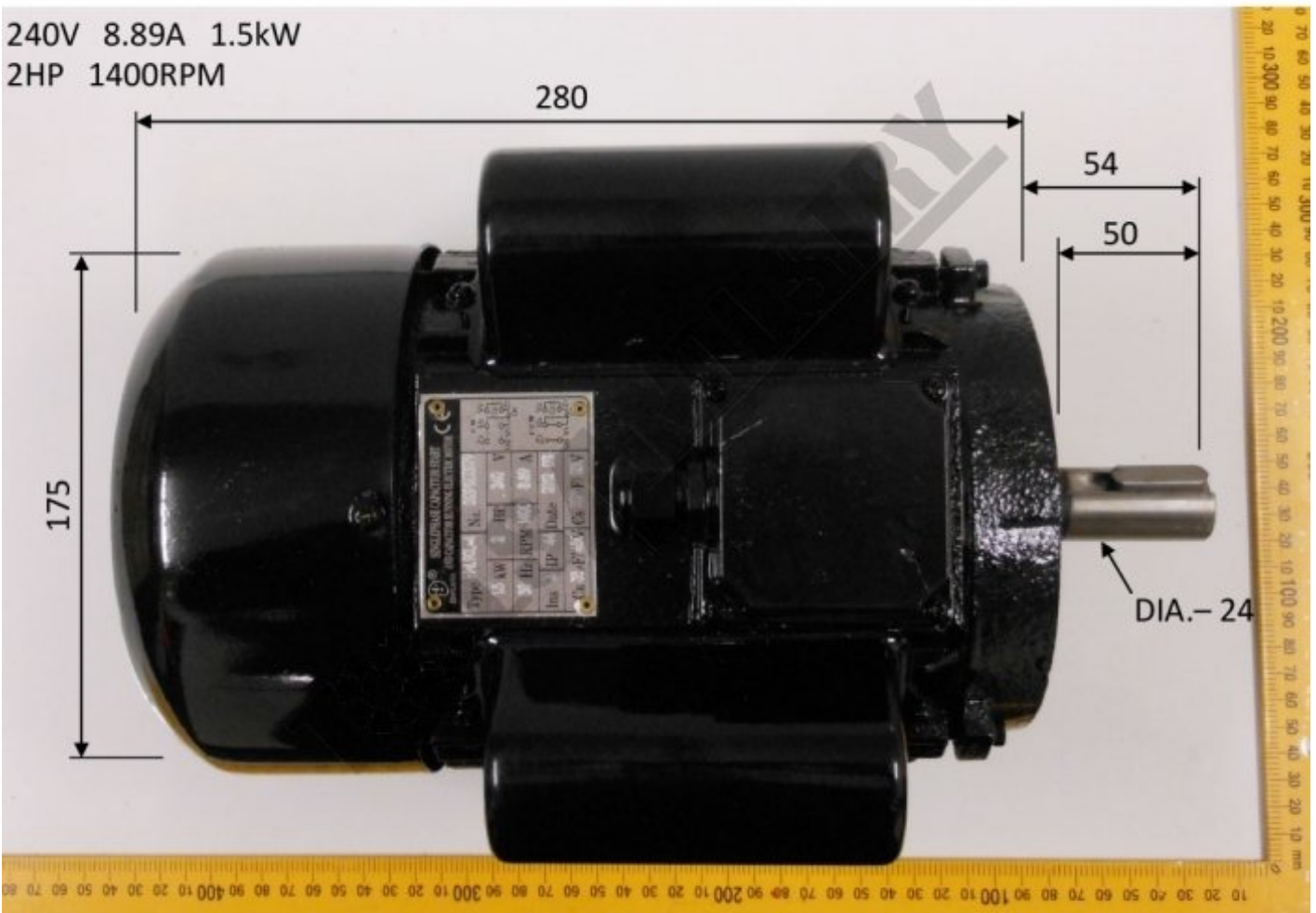
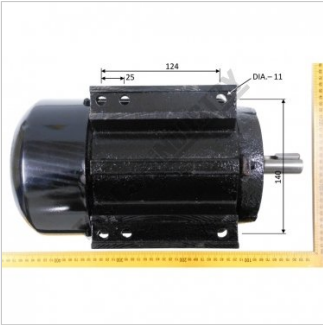


#10

MOTOR 2HP 240V 1450 RPM



MOTOR 2HP 240V 1450 RPM #10



2LX0025 MOTOR 240A 2HP
1400RPM 2



2LX0025 MOTOR 240A 2HP
1400RPM 3

Description

FOOT MOUNT ELECTRIC MOTOR TO SUIT AL-336 AND AL-336D LATHES

Shaft needs a 8mm key for connection

Specifications

ORDER CODE	2LX0025
MODEL	~
Motor Power (kW / hp)	2
Speed (rpm)	1360
Shaft Diameter (mm)	24
Reversible Motor (Yes / No)	~
Fan Cooled (Yes / No)	Yes
Voltage (V)	240
Amps Required	9.35
Input Power Supply Connection	~